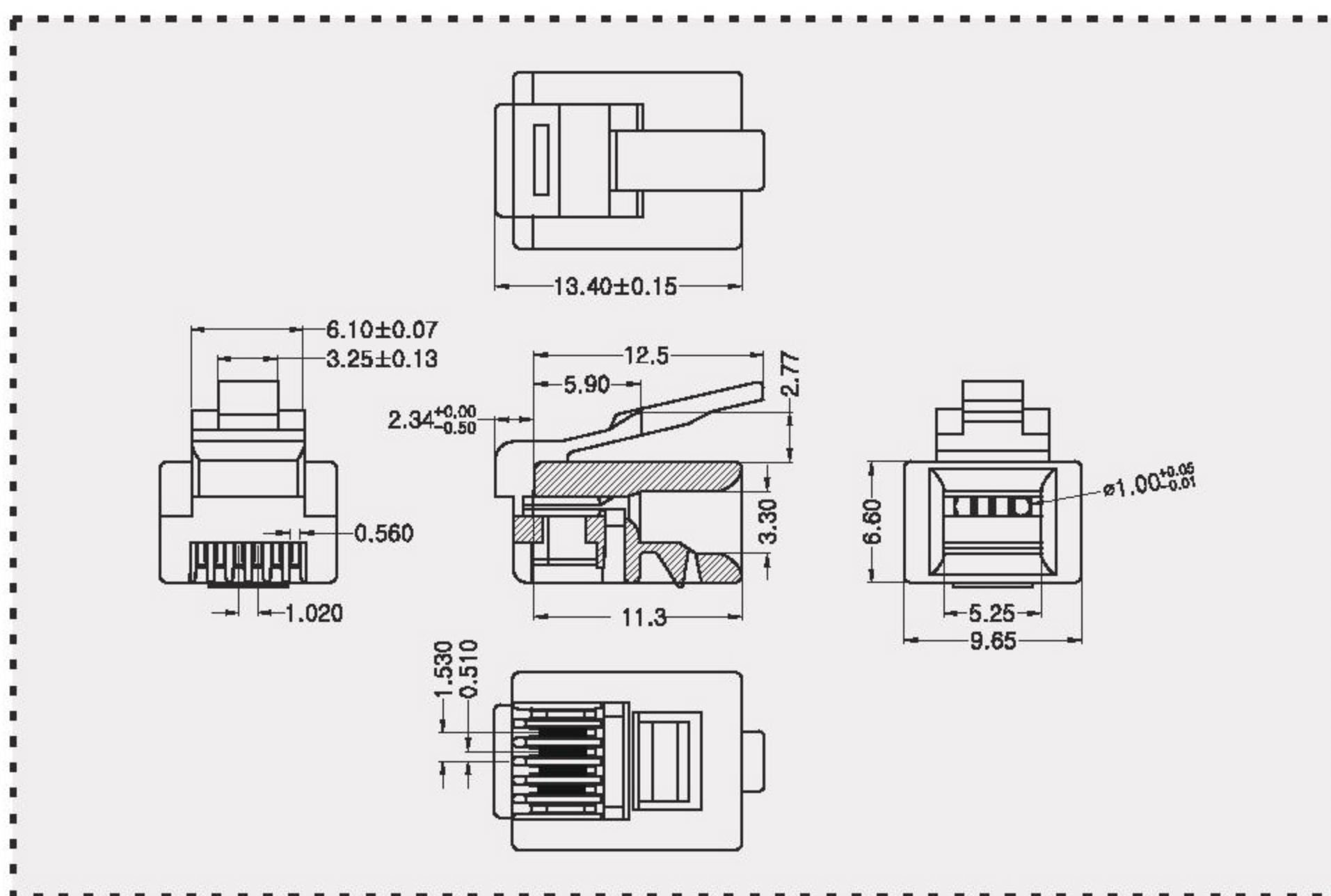
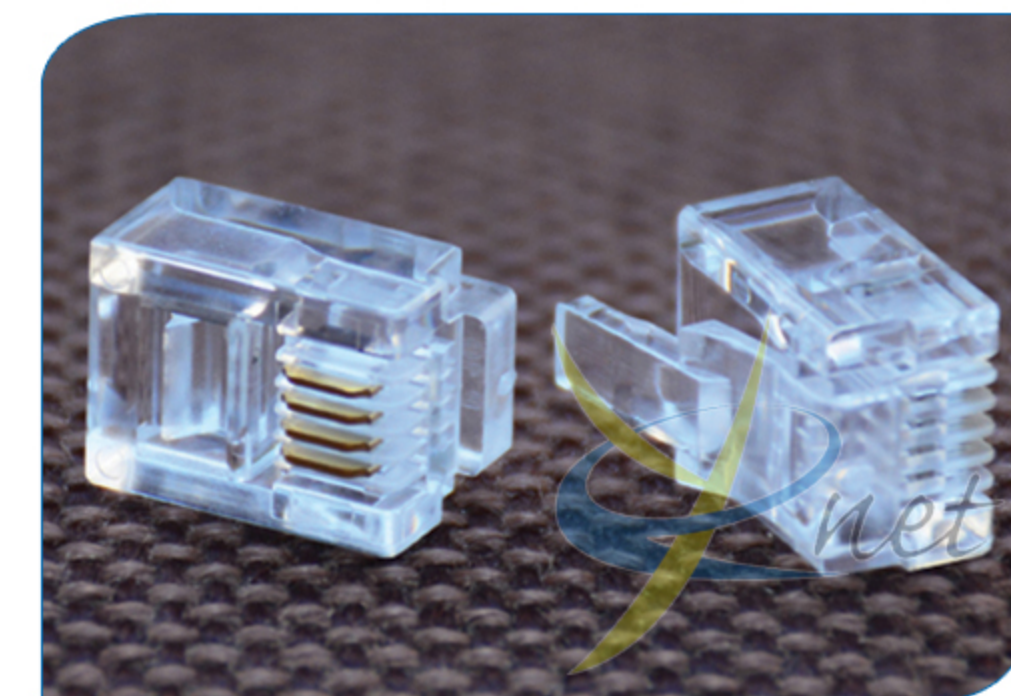




## CAT 3 UTP RJ11 CONNECTOR SPECIFICATION



### Inspection for Environmental Protection:

Based on the performed tests on submitted sample, the test results are Compliant with the limits of RoHS and REACH.

### Electrical Test:

- A. 250V AC max, at 2A.
- B. Dielectric withstanding 1000V DC/min, <0.5A.
- C. Insulation Resistance: >500 MΩ, 1000V DC/min.
- D. Contact Resistance: <20 MΩ.

### Mechanical:

- A. Cable-to-plug tensile strength-20 LBS(89N)min.
- B. Durability: 2000 mating cycles.

Operating Temperature: -40°C~+125°C.

金片 TERMINAL	2405	2333S						OTHER
图形 DRAWING								
标记 MARK	✓							
镀金 GOLD PLATING	FU"	03MU"	3U"	6U"	15U"	30U"	50U"	OTHER
标记 MARK								

