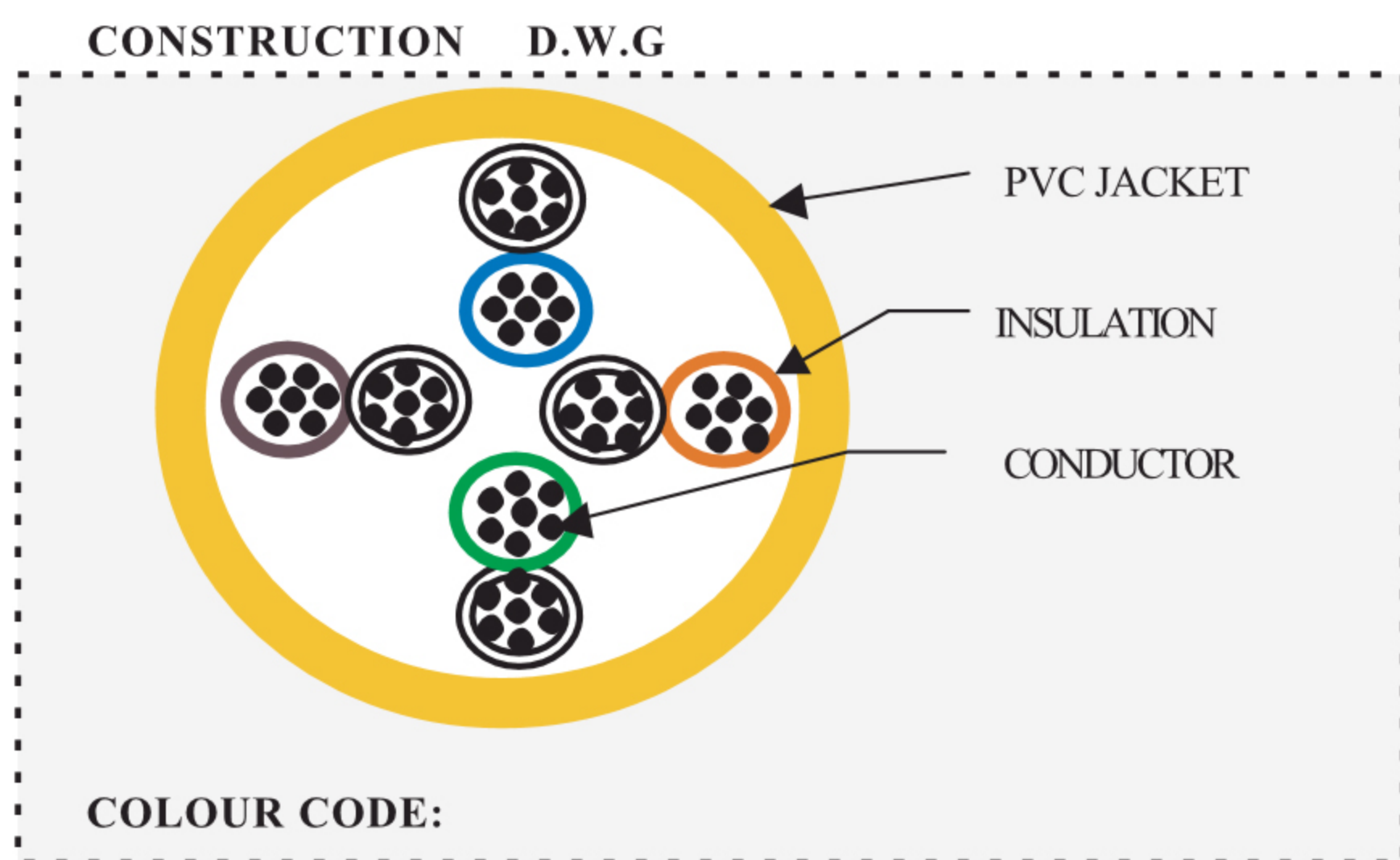




FTP CAT5e PATCH CORD SPECIFICATION



4PR:

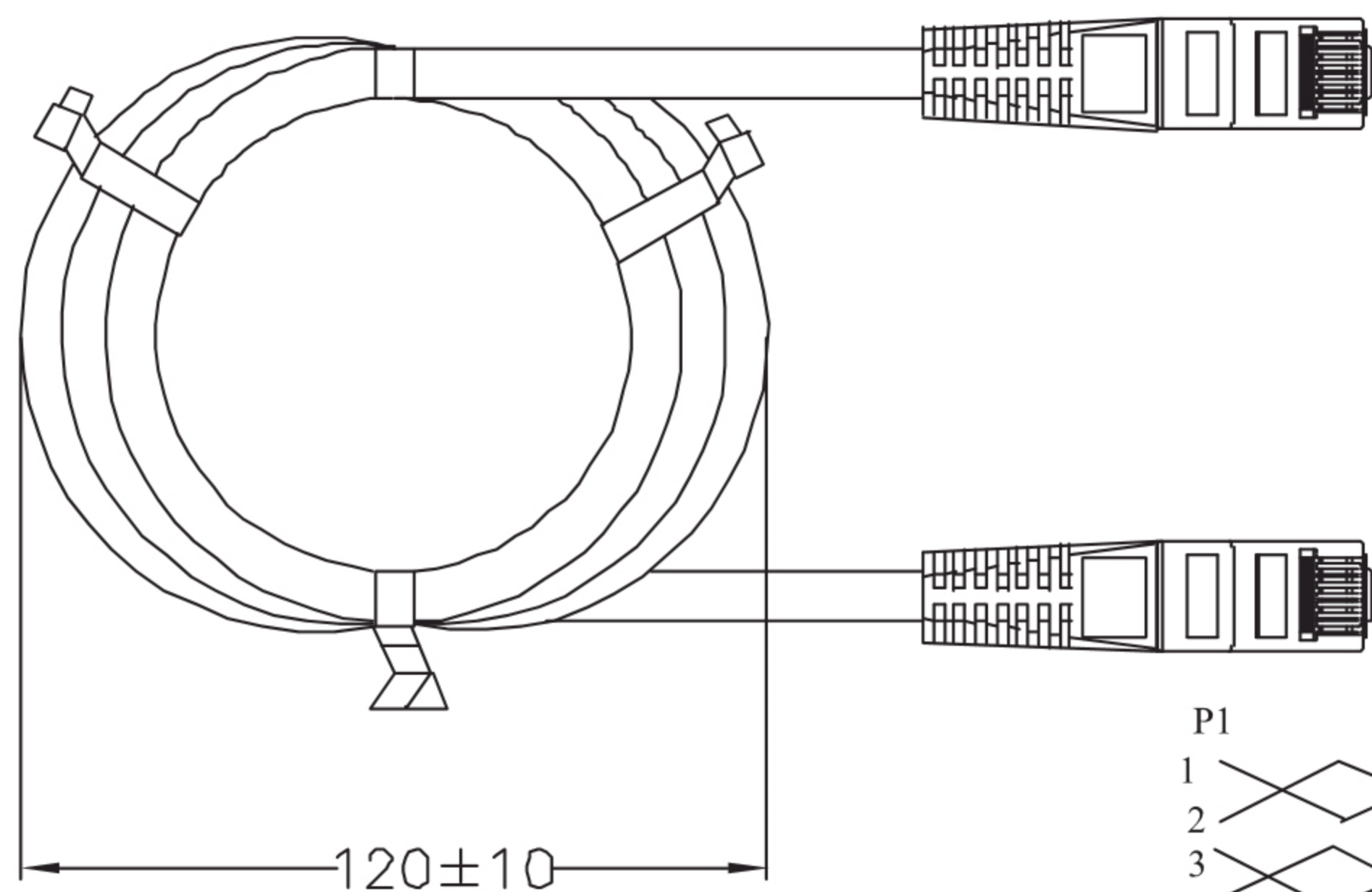
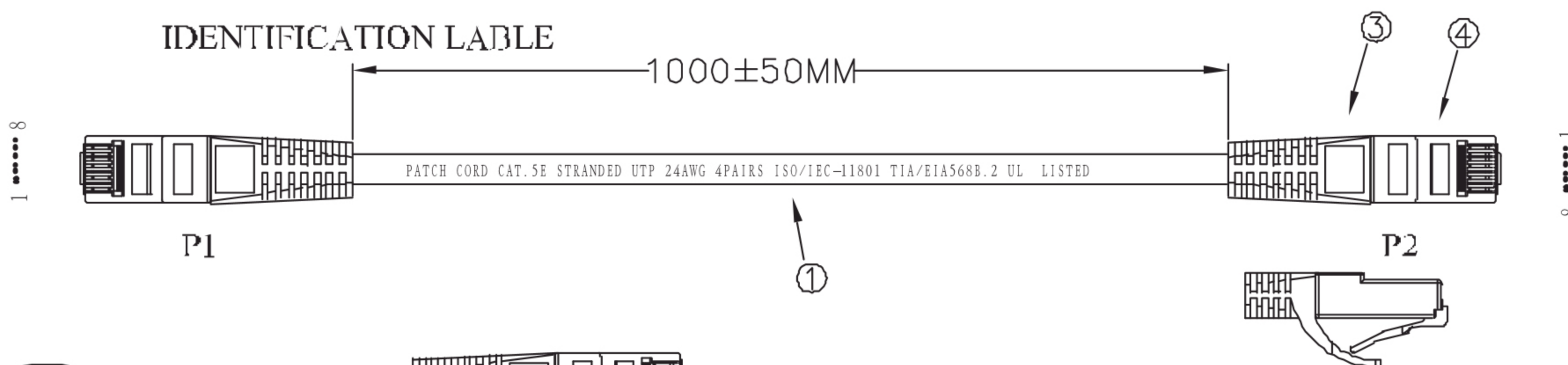
1.BLUE * WHITE/BLUE 2.ORANGE* WHITE /ORANGE

3.GREEN* WHITE/GREEN 4. BROWN* WHITE/BROWN

Length: 0.5m/1m/1.5m/2m/3m/5m/10m/15m/20m

SPECIFICATION		CAT.5E UTP 4P STRANDED 24AWG 100MHZ OD5.5MM UL	
ITEM	SPECIFICATION		
CONDUCTOR	AWG	24AWG	
	MATERIAL	BARE COPPER	
	CONDUCTOR SIZE	7*0.20±0.005mm	
INSULATION	AVU THICKNESS	0.195mm	
	MIN THICKNESS	0.175mm	
	MATERIAL	HDPE	
	DIAMETER	0.98mm±0.04mm	
JACKET	AVU THICKNESS	0.64mm	
	MIN THICKNESS	0.46mm	
	MATERIAL	PVC	
	DIAMETER	5.5±0.15mm	
	COLOUR	Black/red/white/orange/gray/green/blue/yellow	
MARKING	PATCH CORD CAT.5E STRANDED UTP 24AWG 4PAIRS ISO/IEC 11801 TIA/EIA-568B.2 UL LISTED		
ELECTRICAL CHARACTERISTICS		PHYSICAL PROPERTIES	
1,Rating Temp:75 C		1,Tensile Strength test are before aging: Sheath:>1.41kg/mm Insulation>1.68kg/mm	
2,D-C Resistance:9.4 ohm/100M at 20 C		2, Tensile Strength test are after aging: Sheath>85% Tensile Strength test are before aging Insulation>75% Tensile Strength test are before aging	
3,Dielectric Srength:AC 0.75kv/m		3,Elongation after aging:Sheath:>50% Elongation before aging Insulation>75% Elongation before aging	
4,Spark test:2kv/0.15sec			
5,Nominal impedance(OHMS):100±15%			
6,Pair-1P-Ground Capacitance Unbalance Max 330pf/100m			
7 , Propagation Delay Skew:45nS/100M			

IDENTIFICATION LABEL



P1	P2 T568B
1	1 WHITE/ORANG E
2	2 ORANGE
3	3 WHITE/GREEN
4	4 GREEN
5	5 BLUE
6	6 WHITE/BLUE
7	7 WHITE/BROWN
8	8 BROWN

NOTES:

1. CABLE: CAT5E UTP 24AWG (7*0.20) 4PAIR
2. JACKET: Ø 5.5mm VL94V-0 PVC
3. RJ-45 PLUG : PC 8P8C