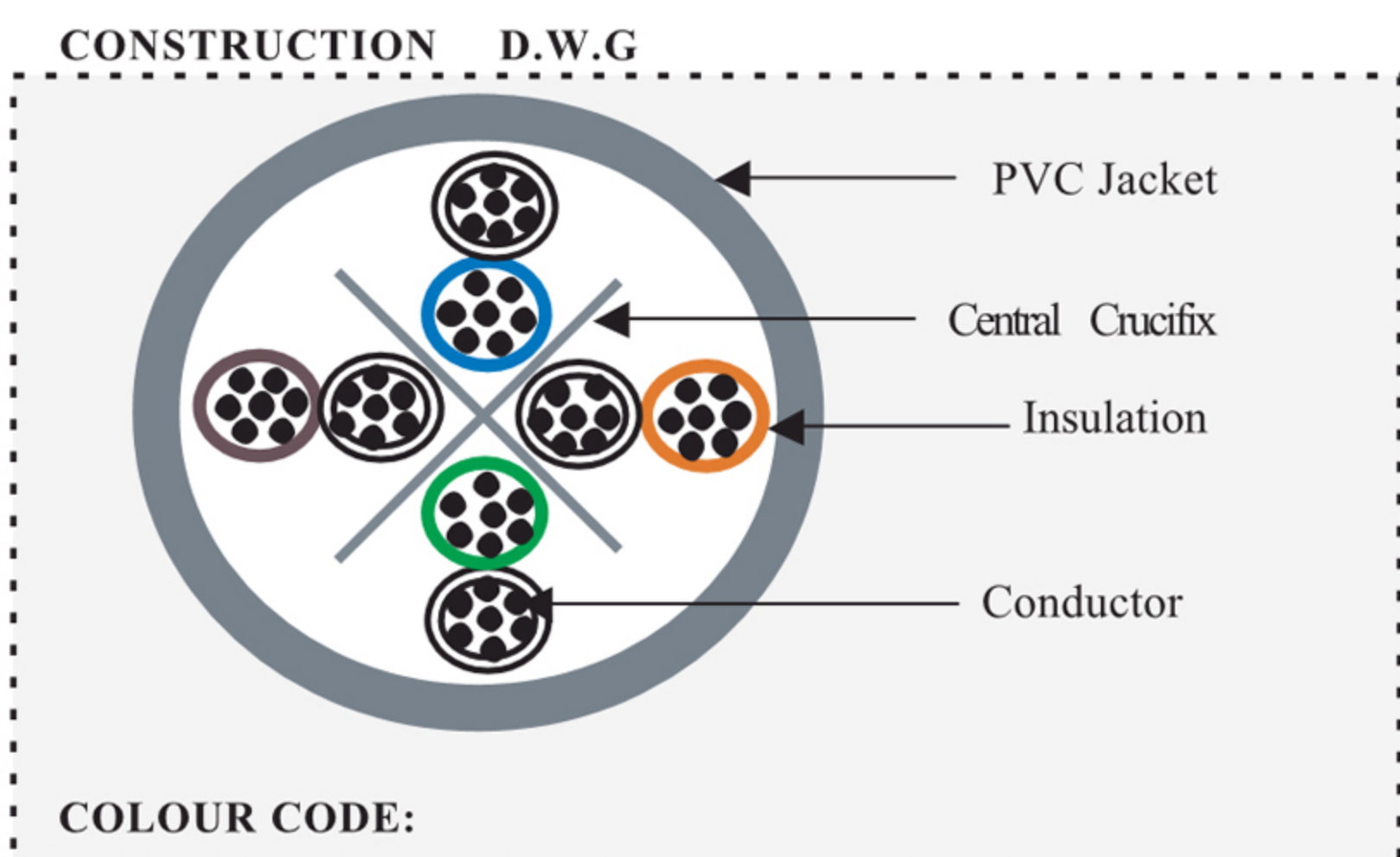




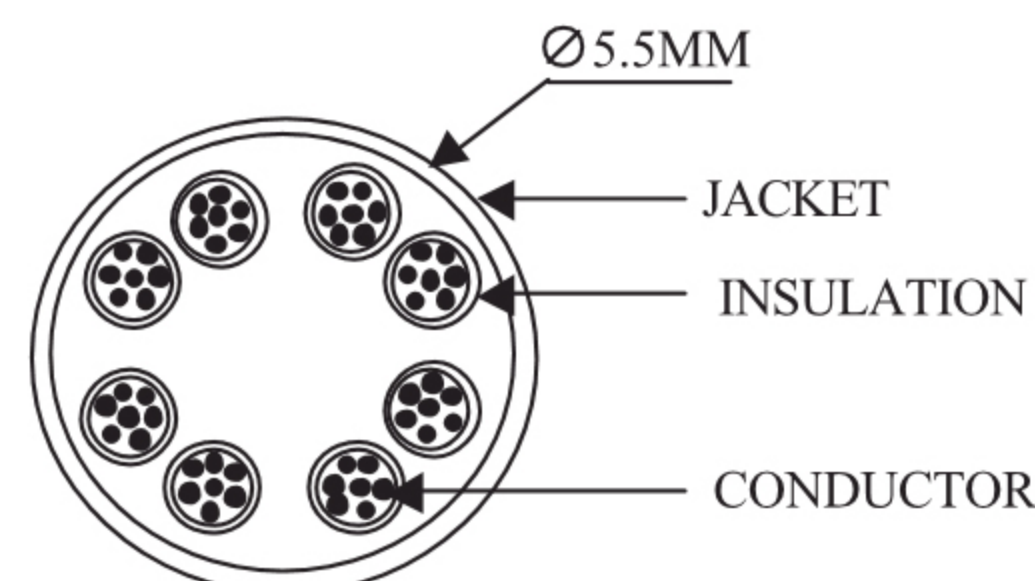
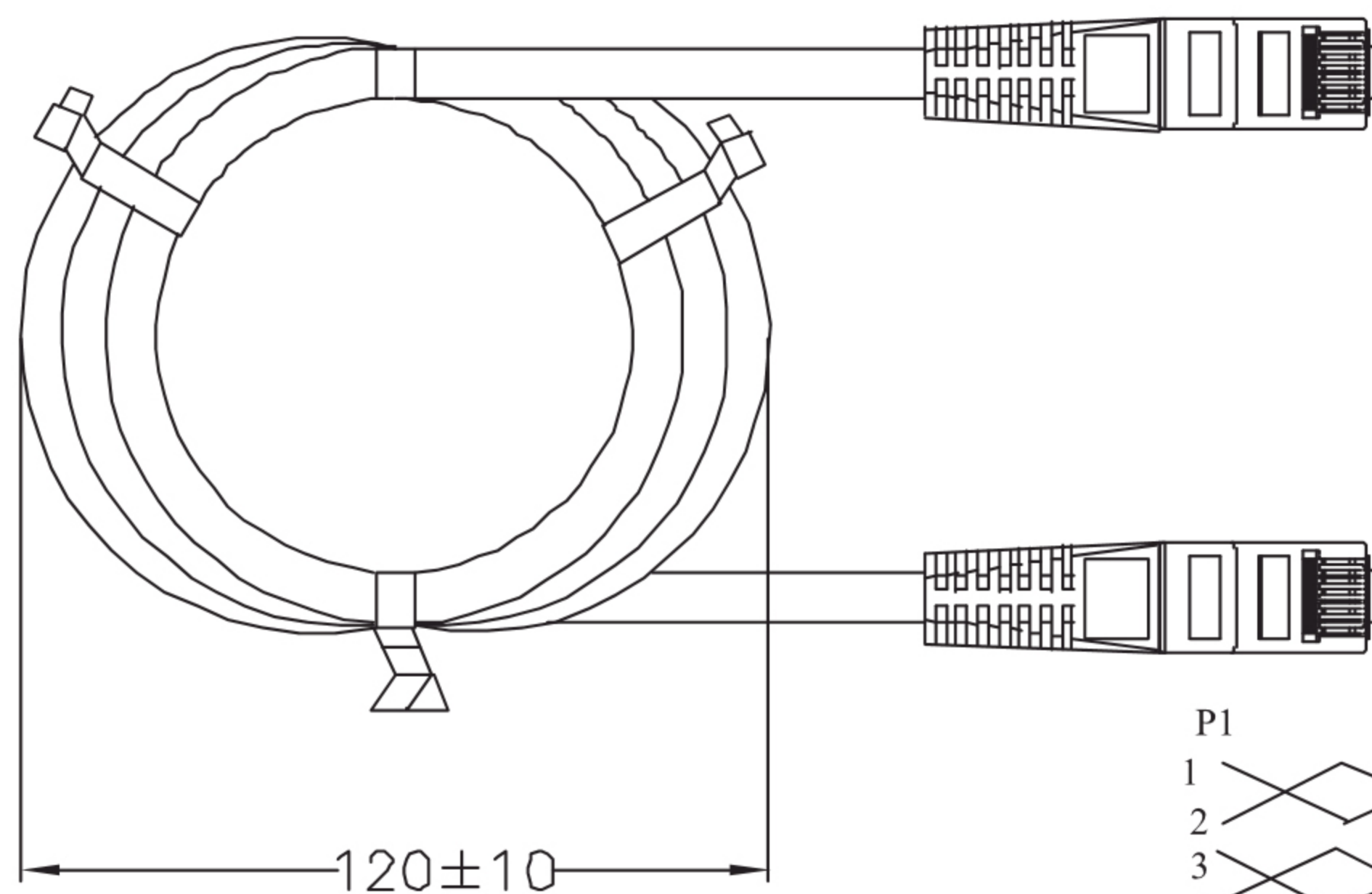
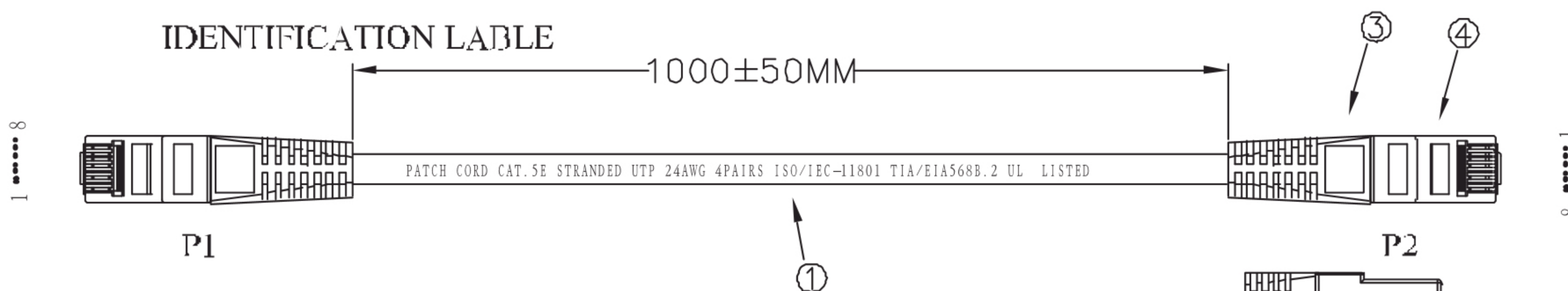
UTP CAT6 PATCH CORD SPECIFICATION



- 4PR:
 1. BLUE * WHITE/BLUE 2. ORANGE* WHITE /ORANGE
 3. GREEN* WHITE/GREEN 4. BROWN* WHITE/BROWN
 Length: 0.5m/1m/1.5m/2m/3m/5m/10m/15m/20m

SPECIFICATION	CAT.6 UTP 4P STRANDED 24AWG 250MHZ OD 6.1MM UL	
ITEM	SPECIFICATION	
CONDUCTOR	AWG	24AWG
	MATERIAL	BARE COPPER
	CONDUCTOR SIZE	7*0.20±0.005mm
INSULATION	AVG THICKNESS	0.195mm
	MIN THICKNESS	0.175mm
	MATERIAL	HDPE
	DIAMETER	0.98mm±0.05mm
JACKET	AVG THICKNESS	0.74mm
	MIN THICKNESS	0.68mm
	MATERIAL	PVC
	DIAMETER	6.10±0.20mm
	COLOUR	Black/red/white/orange/gray/green/blue/yellow
MARKING	PATCH CORD CAT.6 STRANDED UTP 24AWG 4PAIRS ISO/IEC 11801 TIA/EIA-568B.2.1 UL LISTED	
ELECTRICAL CHARACTERISTICS		PHYSICAL PROPERTIES
1, Rating Temp: 75 C 2, D-C Resistance: 9.4 ohm/100M at 20 degree C 3, Dielectric Strength: AC 0.75kv/m 4, Spark test: 2kv/0.15sec 5, Nominal impedance (OHMS): 100±15% 6, Pair-1P-Ground Capacitance Unbalance Max 330pf/100m 7, Propagation Delay Skew: 45nS/100M		1, Tensile Strength test are before aging: Sheath: >1.41kg/mm Insulation >1.68kg/mm 2, Tensile Strength test are after aging: Sheath >85% Tensile Strength test are before aging Insulation >75% Tensile Strength test are before aging 3, Elongation after aging: Sheath: >50% Elongation before aging Insulation >75% Elongation before aging

IDENTIFICATION LABEL



- | | |
|----|-----------------|
| P1 | P2 T568B |
| 1 | 1 WHITE/ORANG E |
| 2 | 2 ORANGE |
| 3 | 3 WHITE/GREEN |
| 4 | 4 GREEN |
| 5 | 5 BLUE |
| 6 | 6 WHITE/BLUE |
| 7 | 7 WHITE/BROWN |
| 8 | 8 BROWN |

NOTES:

1. CABLE: CAT5E UTP 24AWG (7*0.20) 4PAIR
2. JACKET: Ø 5.5mm VL94V-0 PVC
3. RJ-45 PLUG : PC 8P8C