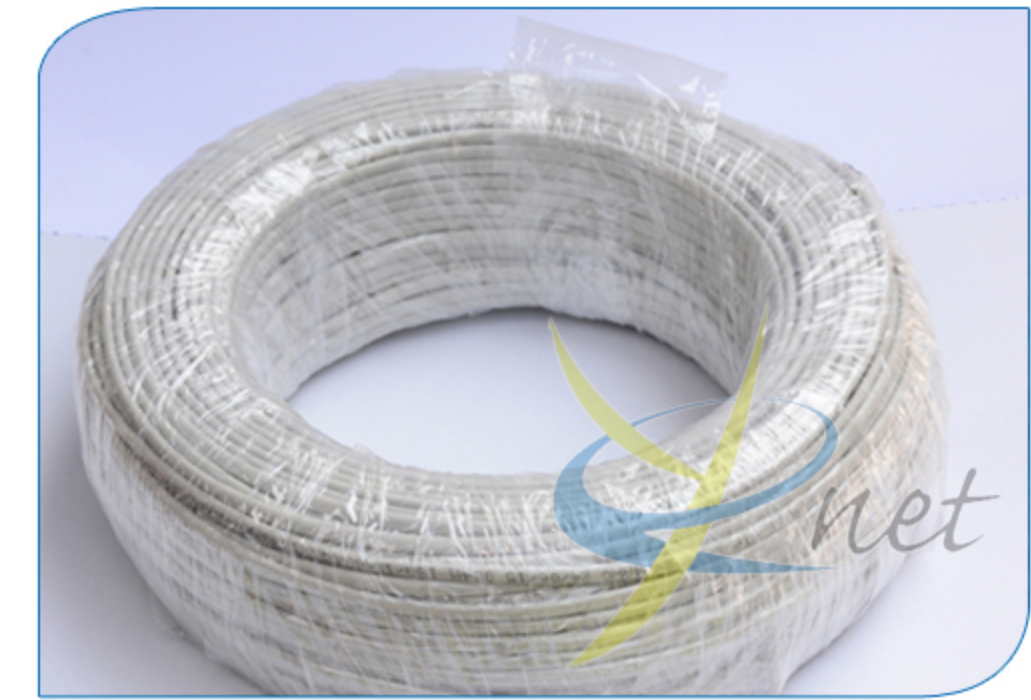


www.eynet.biz

Technical Specification Manual

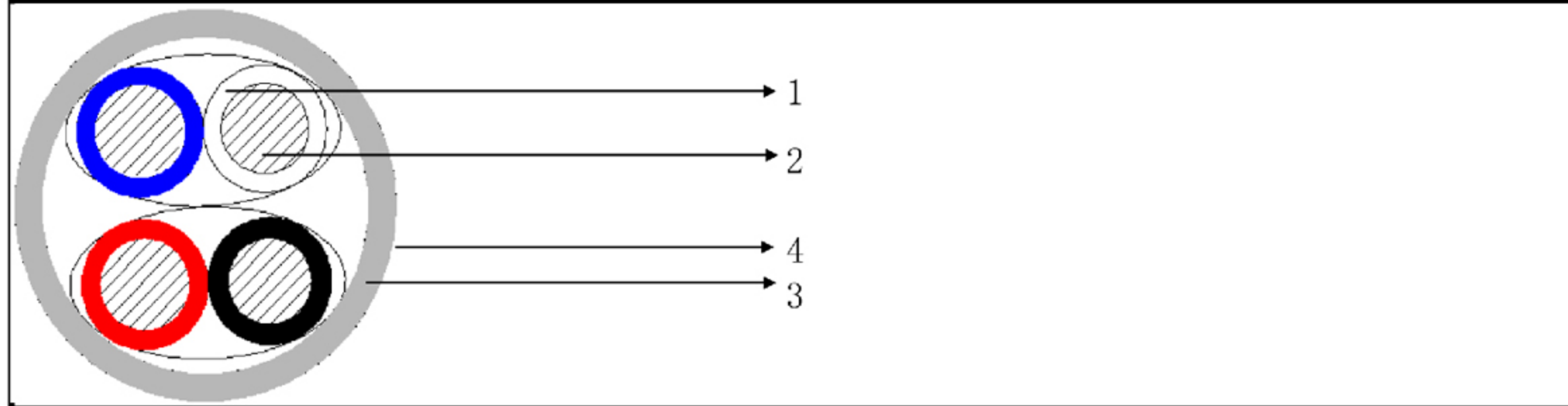




CAT3 UTP CABLE SPECIFICATION

REF:XT-2 **TECHNICAL DATA SHEET**

100 Ω UTP 2pairs cable category3 - 100MHz - PVC sheath



CABLE DESCRIPTION

1-CONDUCTOR	PARAMETER	UNIT	VALUE
TYPE:SOLID-Bare copper	Max.linear resistance.	Ω /km	≤95.5
DIAMETER:0.50mm±0.008mm	Mutual capacity(nom.)	pF/m	50
AWG:24	Unbalance capacity max (p/p at 1 KHz)	pF/km	1600
2-INSULATION	Characteristic impedance (1 at 100 MHz)	Ω	100±15
TYPE:PE solid	VELOCITY OF PROPAGATION (f>1MHz)	%of c	66
Average Thickness: 0.2 mm	Delay Skew	ns/100m	≤45
DIAMETER:0.9mm±0.01mm	Pulling strength (N)	N/mm2	≥13.5
3-RIP CORD	Minimum bend radius (mm):	mm	42
YES	Operating temperature:	°C	-20°C~70°C
4-OUTER JACKET	temperature of installation	°C	-10°C~60°C
TYPE:PVC			
COLOUR:GREY			
THICKNESS:0.55mm			
EXTERNAL DIAMETER:4.2mm±0.5mm			

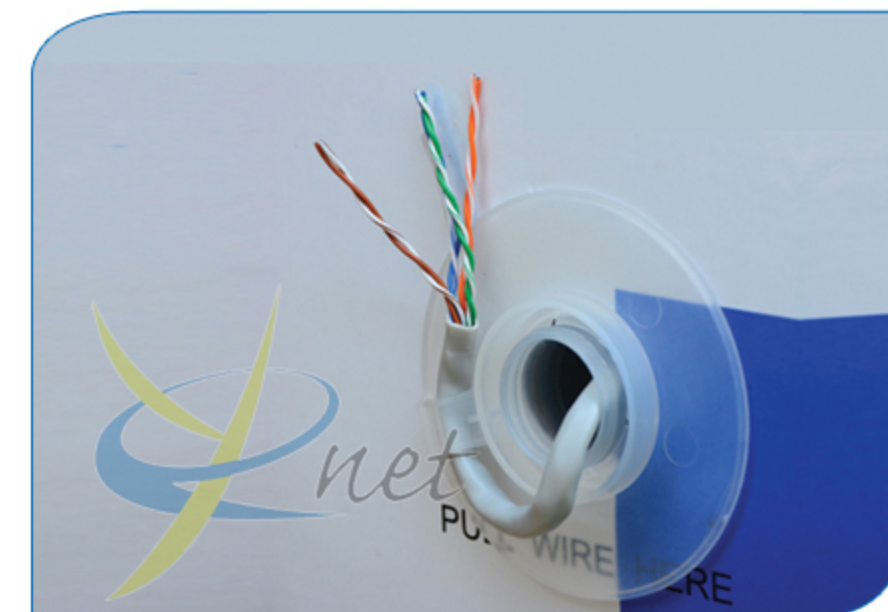
ELECTRICAL CHARACTERISTICS

Frequency (MHz)	Return loss(dB)	Attenuation (dB/100m)	NEXT (dB)	PSNEXT (dB)	ELFEXT (dB)	PSELFEXT (dB)
1	20.0	2.04	65.3	62.3	63.8	60.8
4	23.0	4.10	56.3	53.3	51.8	48.8
10	25.0	6.50	50.3	47.3	43.8	40.8
16	25.0	8.20	47.2	44.2	39.7	36.7
20	25.0	9.30	45.8	42.0	37.8	34.8
25	24.3	10.40	44.3	41.3	35.8	32.8
31.25	23.6	11.70	42.9	39.9	33.9	30.9
62.5	21.5	17.00	38.4	35.4	27.9	24.9
100	20.1	22.00	35.3	32.3	23.8	20.8

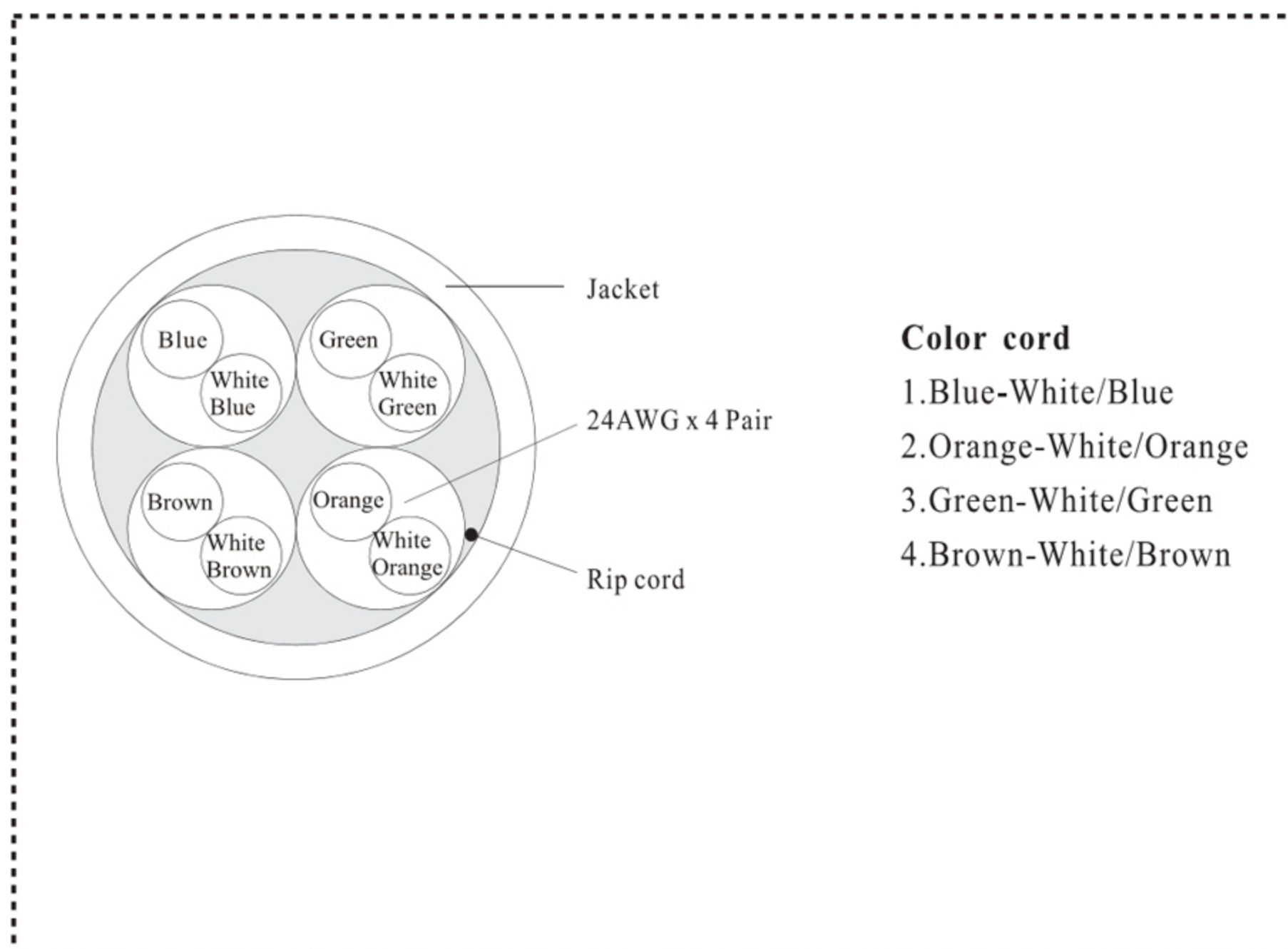
OTHER CHARACTERISTICS

MINIMUM BENDING RADIUS:10×Diameter
 WHIGHT:20.6kg/km
 FIRE BEHAVIOUR:IEC 60332-1-3
 PACKING:305m BOX





UTP CAT5e CABLE SPECIFICATION

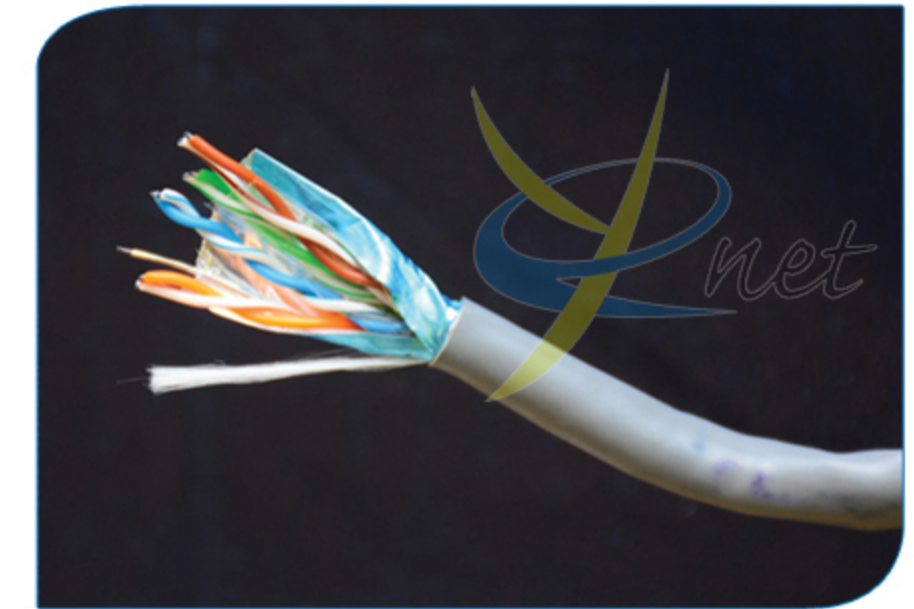


ELECTRICAL PROPERTIES	
ITEM	
Conductor Resistance	Max. 93.8 ohms/km at 20°C
Insulation Resistance	Min. 5000 mega ohms-km at 20°C
Dielectric Test	1000V DC /1 min ; No Breakdown
Temperature Rating	75°C
Voltage Rating	30V

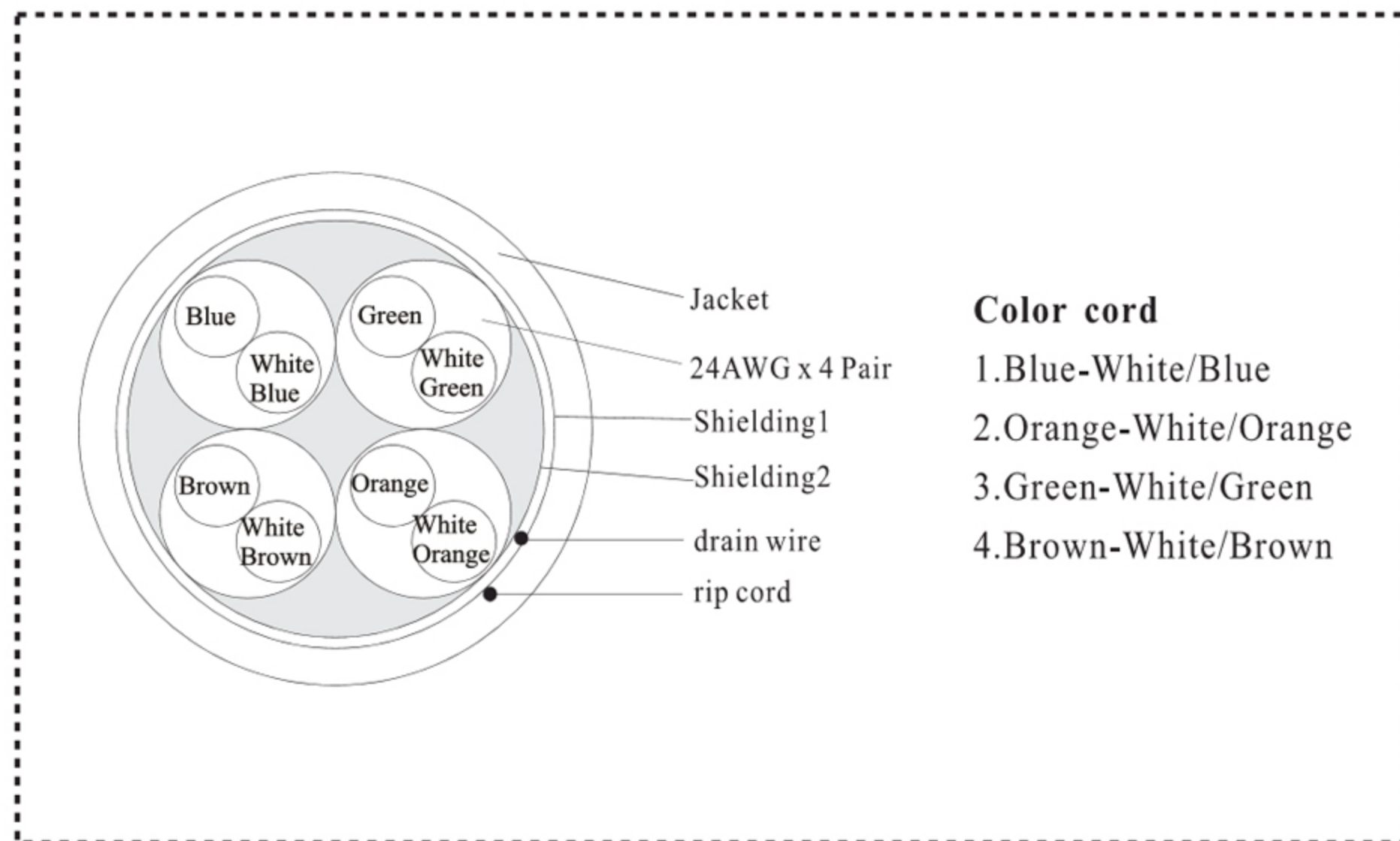
ITEM		
No. of Cord.		4 Pair
Conductor	Material	Bare Copper Solid
	Construction	24AWG; 1/0.51 ± 0.008 mm
Insulation	Material	Polyethylene
	Thickness	0.20±0.02 mm
	Diameter	0.92 ± 0.05 mm
Inner Layer	Direction	S
	Pitch REF	30mm underneath
Outside Layer	Direction	S
	Pitch REF	100±10mm
Rip cord	Material	Nylon
Jacket	Material	flame retardant PVC
	Thickness	0.50 mm(Min. Thickness: 0.40mm)
	Diameter	5.2 ± 0.20 mm
	Color	Optional
Marking	Optional	

f (MHZ)	Zin-0S (0hm)	Fitted Z (0hm)	SRL (dB)	ATT (PATCH) (dB/100M)	DELAY (ns/100M)	MAX. DELAY SKEW(ns/100M)	NEXT (dB)	PSNEXT (dB)
0.772	100±15	100±15	19.40	1.8	574.97	45.0	67	64
1			20.00	2	570	45.0	65.3	62.31
4			23.00	4.1	552.00	45.0	56.3	53.28
8			24.50	5.8	546.73	45.0	51.8	48.77
10			25.00	6.5	545.38	45.0	50.3	47.31
16			25.00	8.2	543.00	45.0	47.3	44.25
20			25.00	9.3	542.05	45.0	45.8	42.8
25			24.30	10.4	541.20	45.0	44.3	41.35
31.25			23.60	11.7	540.44	45.0	42.9	39.89
62.5			21.50	17	538.55	45.0	38.4	35.38
100			20.10	22	537.60	45.0	35.3	32.31

DRWN.	ChenFeng	SPEC NO:	Construction: 24AWG x 4P
CHKD.	Gao		Customer:
APPD.	Gao	DATE:6-30-2007	



FTP CAT5e CABLE SPECIFICATION

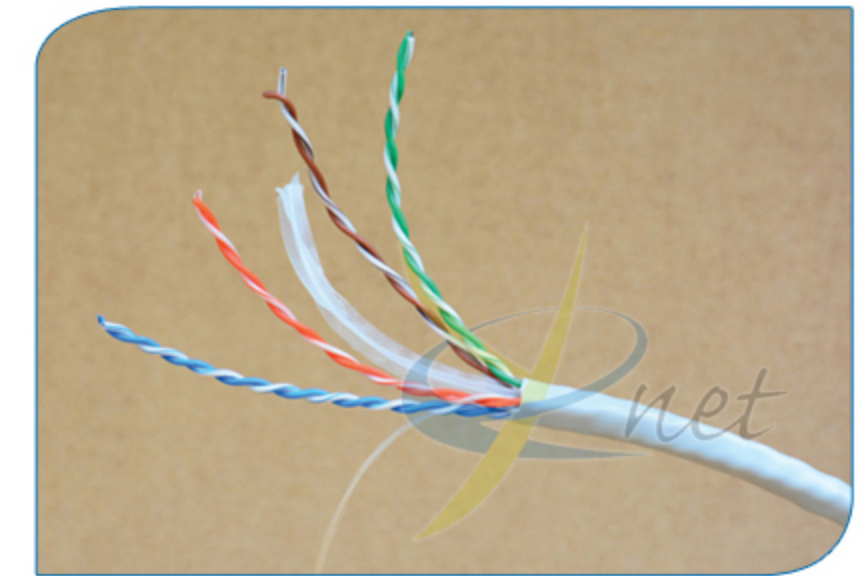


ELECTRICAL PROPERTIES	
ITEM	
Conductor Resistance	Max. 93.8 ohms/km at 20°C
Insulation Resistance	Min. 5000 mega ohms-km at 20°C
Dielectric Test	1000V DC / 1 min ; No Breakdown
Temperature Rating	75°C
Voltage Rating	30V

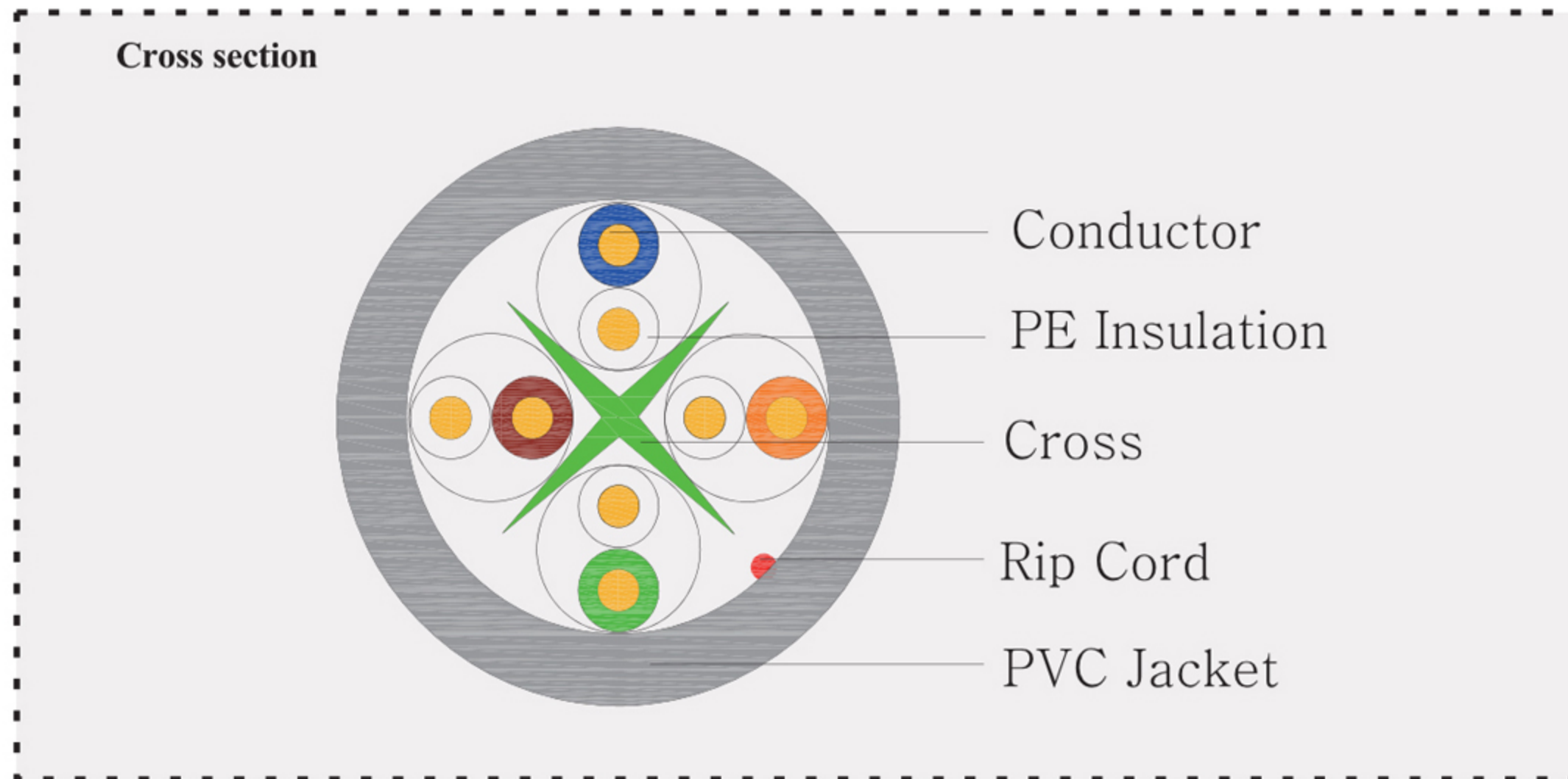
DRWN.	ChenFeng	SPEC NO:	Construction: 24AWG x 4P+M+D+AM	
CHKD.	Gao		Customer:	Customer NO:
APPD.	Gao	DATE:6-16-2007		

ITEM		
No. of Cord.		4 Pair
Conductor	Material	Bare Copper Wire Solid
	Construction	24AWG; 1/0.53 ± 0.008 mm
Insulation	Material	Polyethylene
	Thickness	0.24±0.02 mm
	Diameter	1.02 ± 0.05 mm
Inner Layer	Direction	S
	Pitch REF	30mm underneath
Outside Layer	Direction	S
	Pitch REF	90±10mm
Shielding 1	Material	Aluminum Mylar Spirally Wrapped
	Coverage	100% coverage with 25% overlapping
Shielding 2	Material	Mylar Spirally Wrapped
	Coverage	100% coverage with 25% overlapping
Drain wire	Material	Aluminum Magnesium alloy Solid
	Construction	26AWG; 1 / 0.40 ± 0.008 mm
Rip cord	Material	Nylon
Jacket	Material	PVC
	Thickness	0.50 mm(Min. Thichness: 0.40mm)
	Diameter	5.9 ± 0.20 mm
	Color	Optional
Marking	Optional	

f (MHZ)	Zin-0S (0hm)	Fitted Z (0hm)	SRL (dB)	ATT (PATCH) (dB/100M)	DELAY (ns/100M)	MAX. DELAY SKEW(ns/100M)	NEXT (dB)	PSNEXT (dB)
0.772	100±15	100±15	19.40	1.8	574.97	45.0	67	64
1			20.00	2	570	45.0	65.3	62.31
4			23.00	4.1	552.00	45.0	56.3	53.28
8			24.50	5.8	546.73	45.0	51.8	48.77
10			25.00	6.5	545.38	45.0	50.3	47.31
16			25.00	8.2	543.00	45.0	47.3	44.25
20			25.00	9.3	542.05	45.0	45.8	42.8
25			24.30	10.4	541.20	45.0	44.3	41.35
31.25			23.60	11.7	540.44	45.0	42.9	39.89
62.5			21.50	17	538.55	45.0	38.4	35.38
100			20.10	22	537.60	45.0	35.3	32.31



UTP CAT6 CABLE SPECIFICATION



Description

Solid annealed copper conductor
 Polyethylene insulation
 Twisted pair to IEC 61156-1:2001
 PVC sheath
 Reference standard: TIA-568-B.2-2008

Conductor :

Material Solid annealed copper conductor
 Diameter(mm) 0.57

Insulation :

Material **Polyethylene**

Twisted pair :

- Chromatogram
1. White(Blue)-Blue
 2. White(Orange)-Orange
 3. White(Green)-Green
 4. White(Brown)-Brown

Cabling

Stranding construction 1*4

Filler material PE

sheath

Material PVC
 Nom Thickness: 0.5mm
 Jacket Color: Grey

Rip Cord:

Put a rip cord under jacket longitudinally

Electrical characteristic(20°C)

- | | |
|-----------------------------------|-------------|
| 1. Conductor Resistance | ≤9.5Ω/100m |
| 2. Resistance Unbalance | ≤2.5% |
| 3. Insulation resistance | ≥5000MΩkm |
| 4. Mutual capacitance Max.(nF/km) | 56nF/100m |
| 5. Delay skew | ≤45 ns/100m |

Others see table 1

Physical Properties

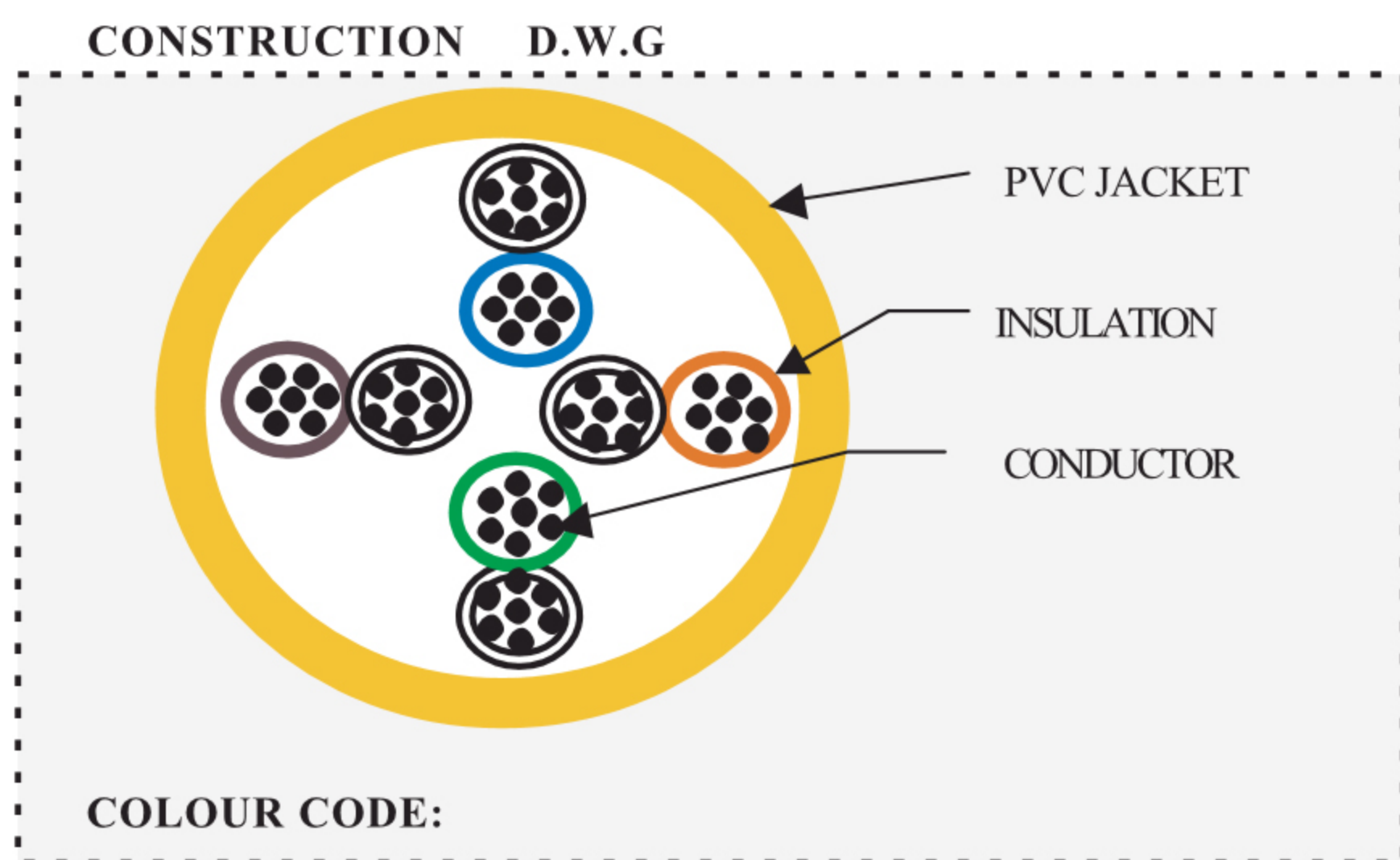
- | | |
|--|---------------|
| 1. Conductor elongation | ≥15% |
| 2. Insulation tensile strength | ≥10MPa |
| 3. Insulation elongation | ≥300% |
| 4. Jacket tensile strength before aging | ≥13.8MPa |
| 5. Jacket elongation | ≥150% |
| 6. Temperature range during operation | -20°C to 60°C |
| 7. Temperature range during installation | 0°C to +50°C |

Table 1

Frequency	ATT	RL	NEXT	PSNEXT	ACRF	PSACRF	Propagation delay
MHZ	dB/100m	dB Min	dB	dB	dB	dB	ns/100m
1	2.1	20.0	74.3	72.3	67.8	64.8	570
4	3.8	23.0	65.3	63.3	55.8	52.8	552
10	5.9	25.0	59.3	57.3	47.8	44.8	545
16	7.5	25.0	56.2	54.2	43.7	40.7	543
20	8.4	25.0	54.8	52.8	41.8	38.8	542
31.25	10.5	23.6	51.9	49.9	37.9	34.9	540
62.5	15.0	21.5	47.4	45.4	31.9	28.9	539
100	19.1	20.1	44.3	42.3	27.8	24.8	538
200	27.6	18.0	39.8	37.8	21.8	18.8	537
250	31.1	17.3	38.3	36.3	19.8	16.8	536
500	45.3	15.2	33.8	31.8	13.8	10.8	536

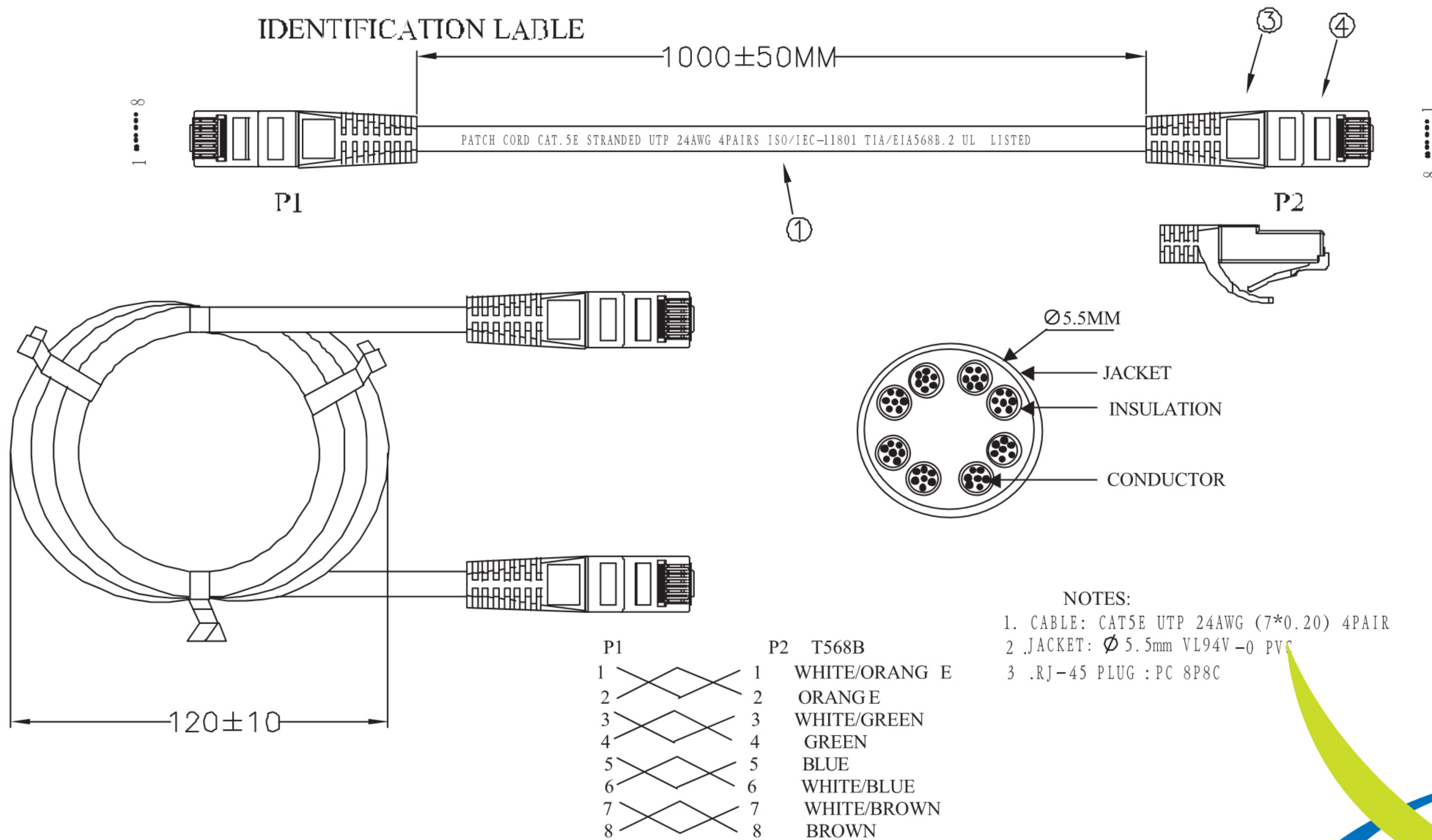


UTP CAT5e PATCH CORD SPECIFICATION



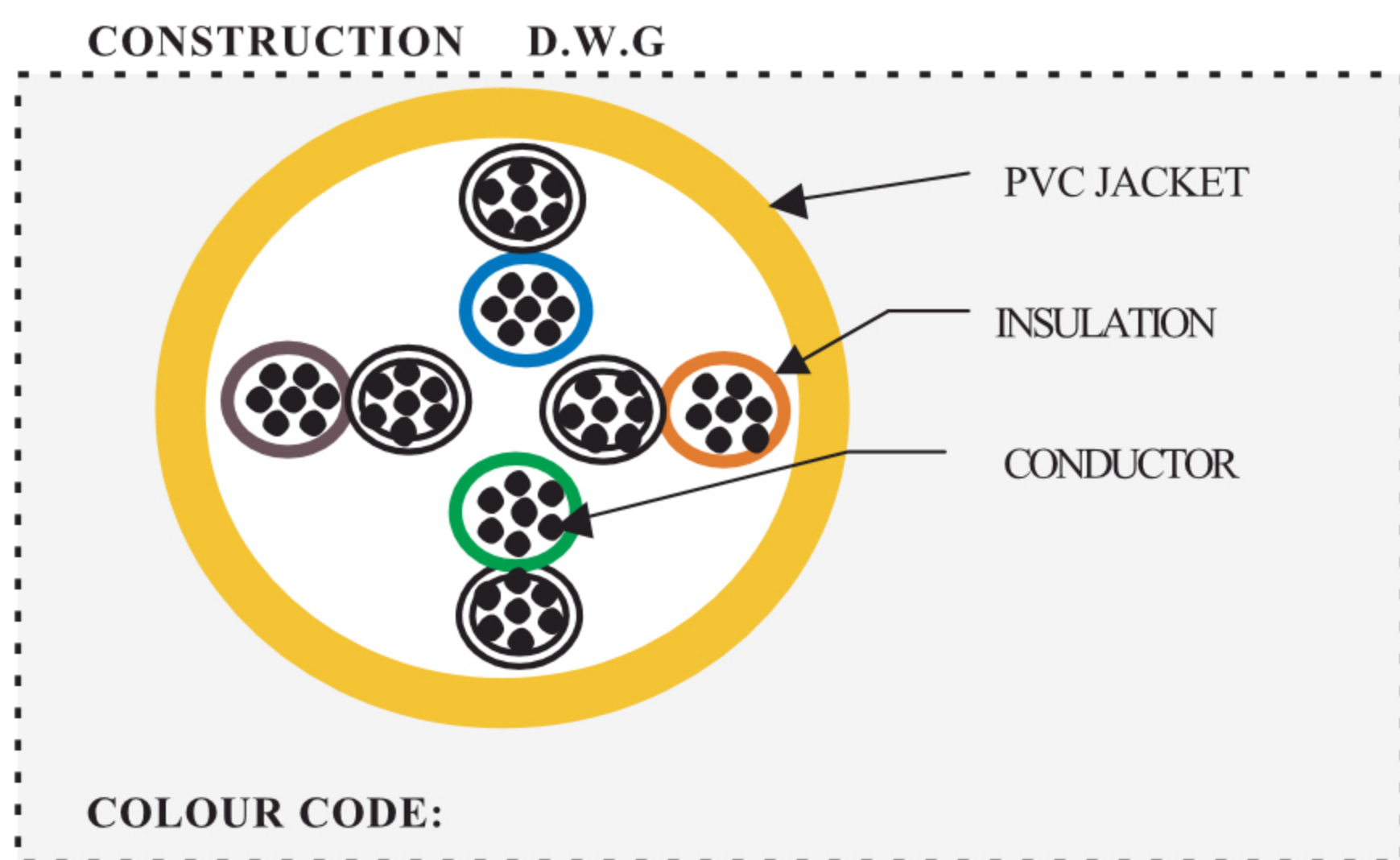
- 4PR:
 1.BLUE * WHITE/BLUE 2.ORANGE* WHITE /ORANGE
 3.GREEN* WHITE/GREEN 4. BROWN* WHITE/BROWN
 Length: 0.5m/1m/1.5m/2m/3m/5m/10m/15m/20m

SPECIFICATION		CAT.5E UTP 4P STRANDED 24AWG 100MHZ OD5.5MM UL	
ITEM	SPECIFICATION		
CONDUCTOR	AWG	24AWG	
	MATERIAL	BARE COPPER	
	CONDUCTOR SIZE	7*0.20±0.005mm	
INSULATION	AVU THICKNESS	0.195mm	
	MIN THICKNESS	0.175mm	
	MATERIAL	HDPE	
	DIAMETER	0.98mm±0.04mm	
JACKET	AVU THICKNESS	0.64mm	
	MIN THICKNESS	0.46mm	
	MATERIAL	PVC	
	DIAMETER	5.5±0.15mm	
	COLOUR	Black/red/white/orange/gray/green/blue/yellow	
MARKING	PATCH CORD CAT.5E STRANDED UTP 24AWG 4PAIRS ISO/IEC 11801 TIA/EIA-568B.2 UL LISTED		
ELECTRICAL CHARACTERISTICS		PHYSICAL PROPERTIES	
1,Rating Temp:75 C 2,D-C Resistance:9.4 ohm/100M at 20 C 3,Dielectric Srength:AC 0.75kv/m 4,Spark test:2kv/0.15sec 5,Nominal impedance(OHMS):100±15% 6,Pair-1P-Ground Capacitance Unbalance Max 330pf/100m 7 , Propagation Delay Skew:45nS/100M		1,Tensile Strength test are before aging: Sheath:>1.41kg/mm Insulation>1.68kg/mm 2, Tensile Strength test are after aging: Sheath>85% Tensile Strength test are before aging Insulation>75% Tensile Strength test are before aging 3,Elongation after aging:Sheath:>50% Elongation before aging Insulation>75% Elongation before aging	





FTP CAT5e PATCH CORD SPECIFICATION



4PR:

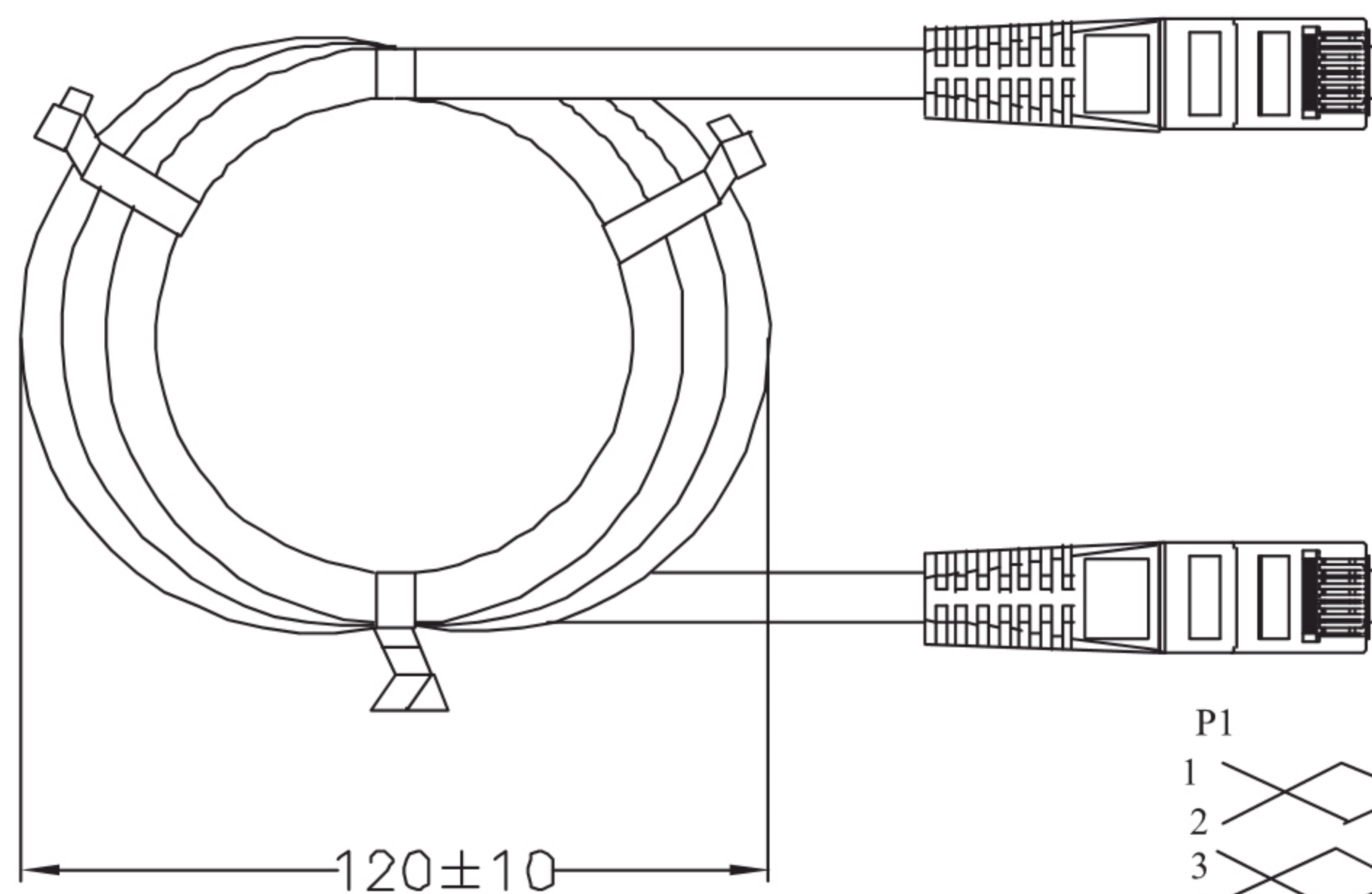
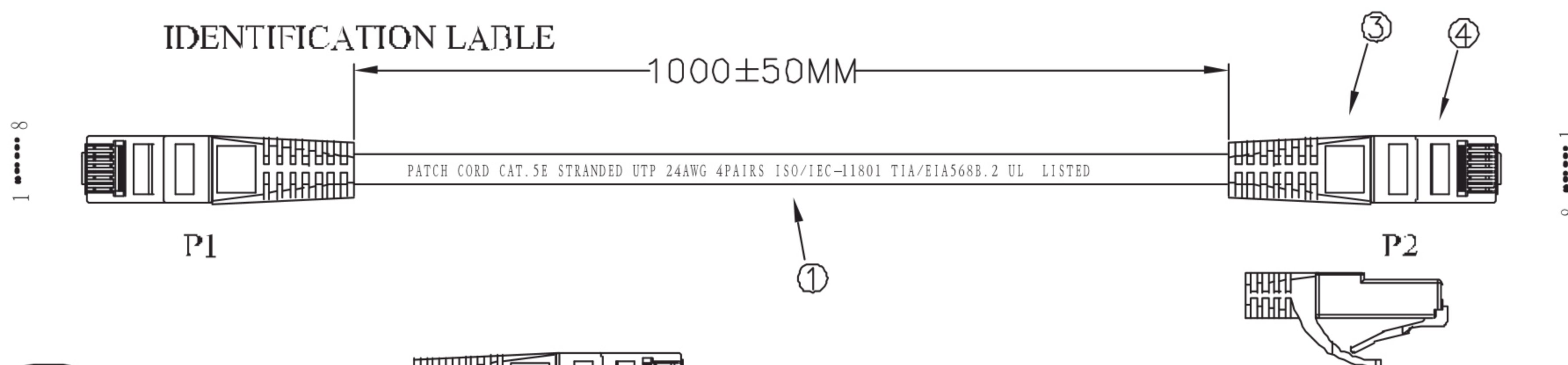
1.BLUE * WHITE/BLUE 2.ORANGE* WHITE /ORANGE

3.GREEN* WHITE/GREEN 4. BROWN* WHITE/BROWN

Length: 0.5m/1m/1.5m/2m/3m/5m/10m/15m/20m

SPECIFICATION		CAT.5E UTP 4P STRANDED 24AWG 100MHZ OD5.5MM UL	
ITEM	SPECIFICATION		
CONDUCTOR	AWG	24AWG	
	MATERIAL	BARE COPPER	
	CONDUCTOR SIZE	7*0.20±0.005mm	
INSULATION	AVU THICKNESS	0.195mm	
	MIN THICKNESS	0.175mm	
	MATERIAL	HDPE	
	DIAMETER	0.98mm±0.04mm	
JACKET	AVU THICKNESS	0.64mm	
	MIN THICKNESS	0.46mm	
	MATERIAL	PVC	
	DIAMETER	5.5±0.15mm	
	COLOUR	Black/red/white/orange/gray/green/blue/yellow	
MARKING	PATCH CORD CAT.5E STRANDED UTP 24AWG 4PAIRS ISO/IEC 11801 TIA/EIA-568B.2 UL LISTED		
ELECTRICAL CHARACTERISTICS		PHYSICAL PROPERTIES	
1,Rating Temp:75 C		1,Tensile Strength test are before aging: Sheath:>1.41kg/mm Insulation>1.68kg/mm	
2,D-C Resistance:9.4 ohm/100M at 20 C		2, Tensile Strength test are after aging: Sheath>85% Tensile Strength test are before aging Insulation>75% Tensile Strength test are before aging	
3,Dielectric Srength:AC 0.75kv/m		3,Elongation after aging:Sheath:>50% Elongation before aging Insulation>75% Elongation before aging	
4,Spark test:2kv/0.15sec			
5,Nominal impedance(OHMS):100±15%			
6,Pair-1P-Ground Capacitance Unbalance Max 330pf/100m			
7 , Propagation Delay Skew:45nS/100M			

IDENTIFICATION LABEL



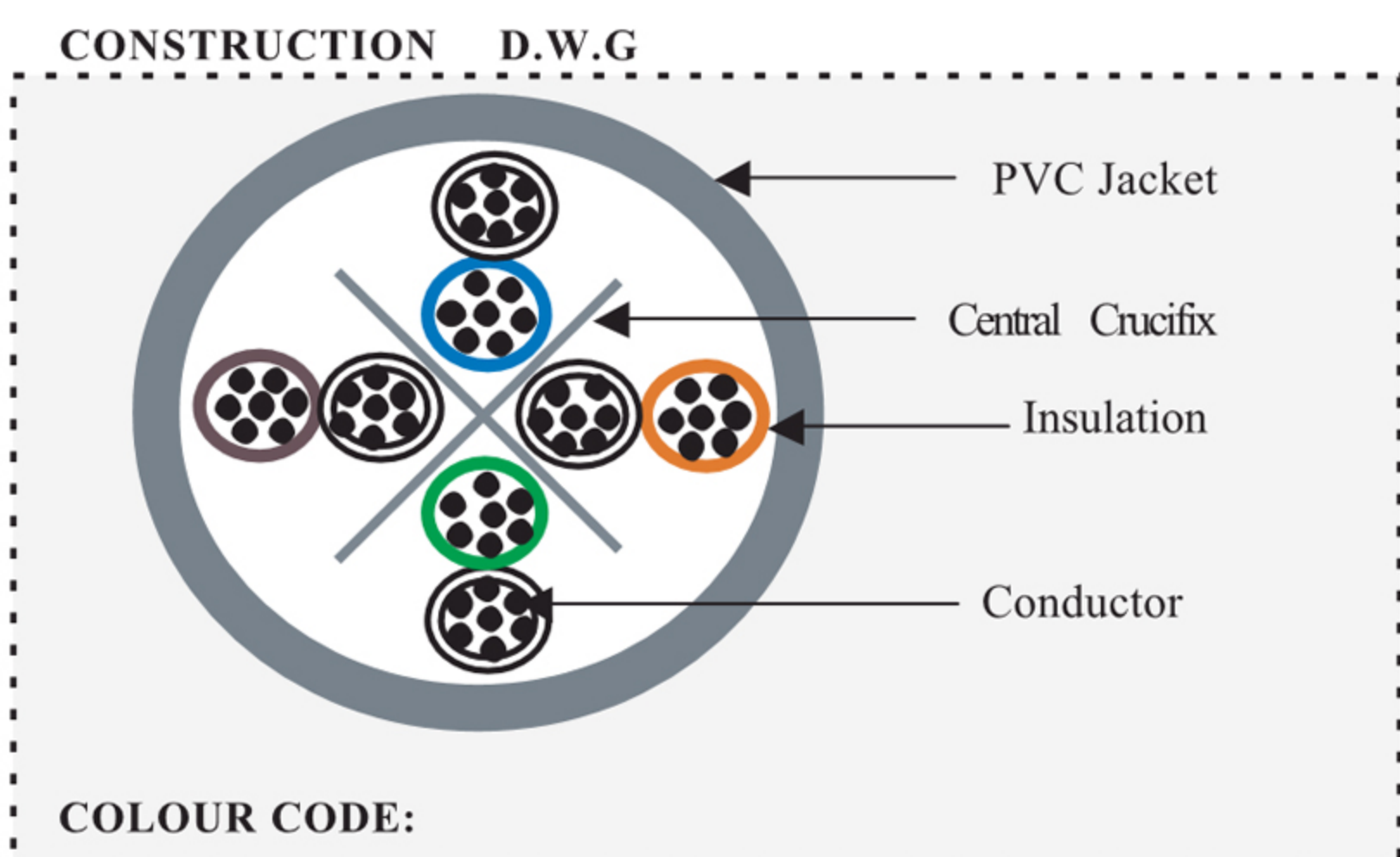
P1	P2 T568B
1	1 WHITE/ORANG E
2	2 ORANGE
3	3 WHITE/GREEN
4	4 GREEN
5	5 BLUE
6	6 WHITE/BLUE
7	7 WHITE/BROWN
8	8 BROWN

NOTES:

1. CABLE: CAT5E UTP 24AWG (7*0.20) 4PAIR
2. JACKET: Ø 5.5mm VL94V-0 PVC
3. RJ-45 PLUG : PC 8P8C



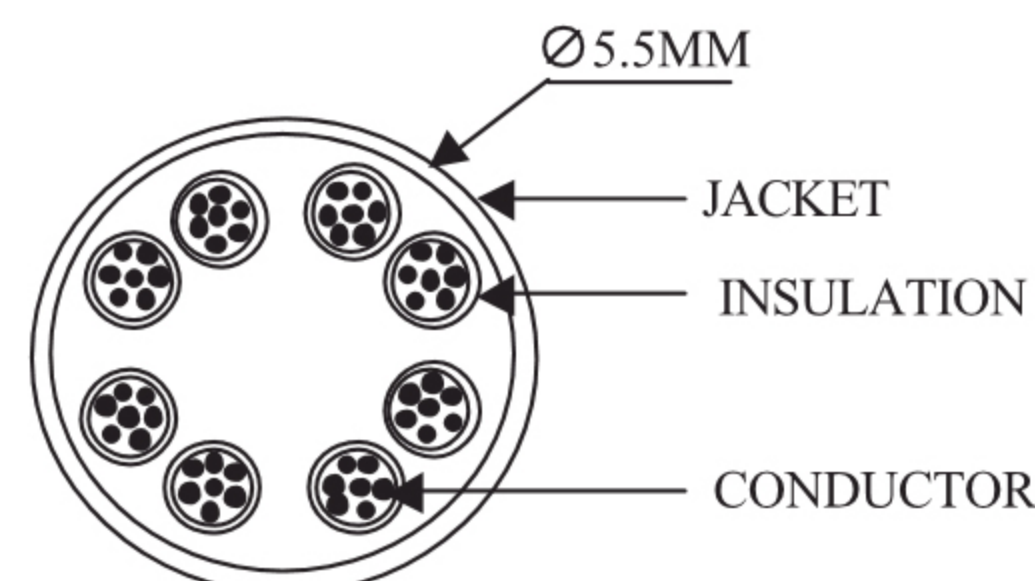
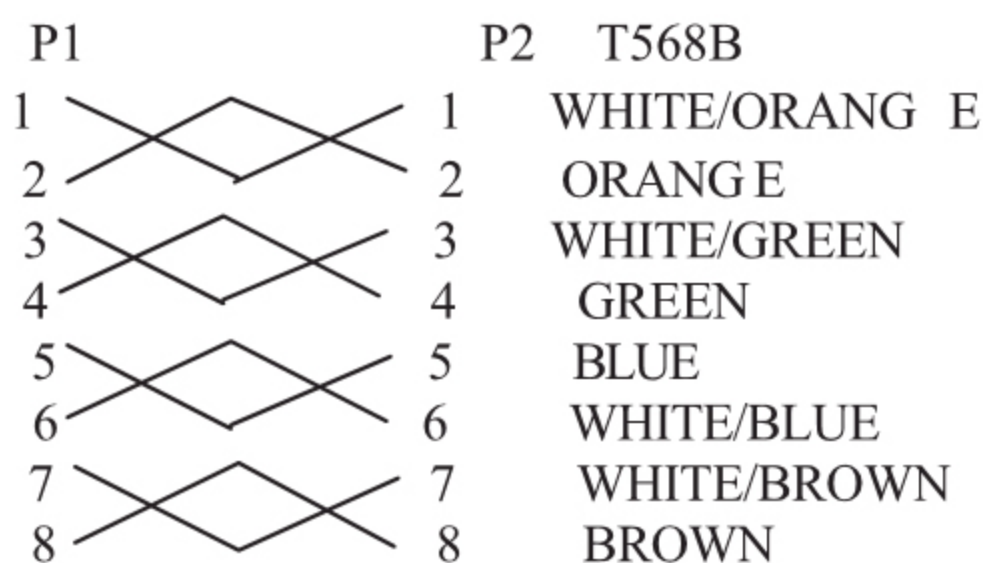
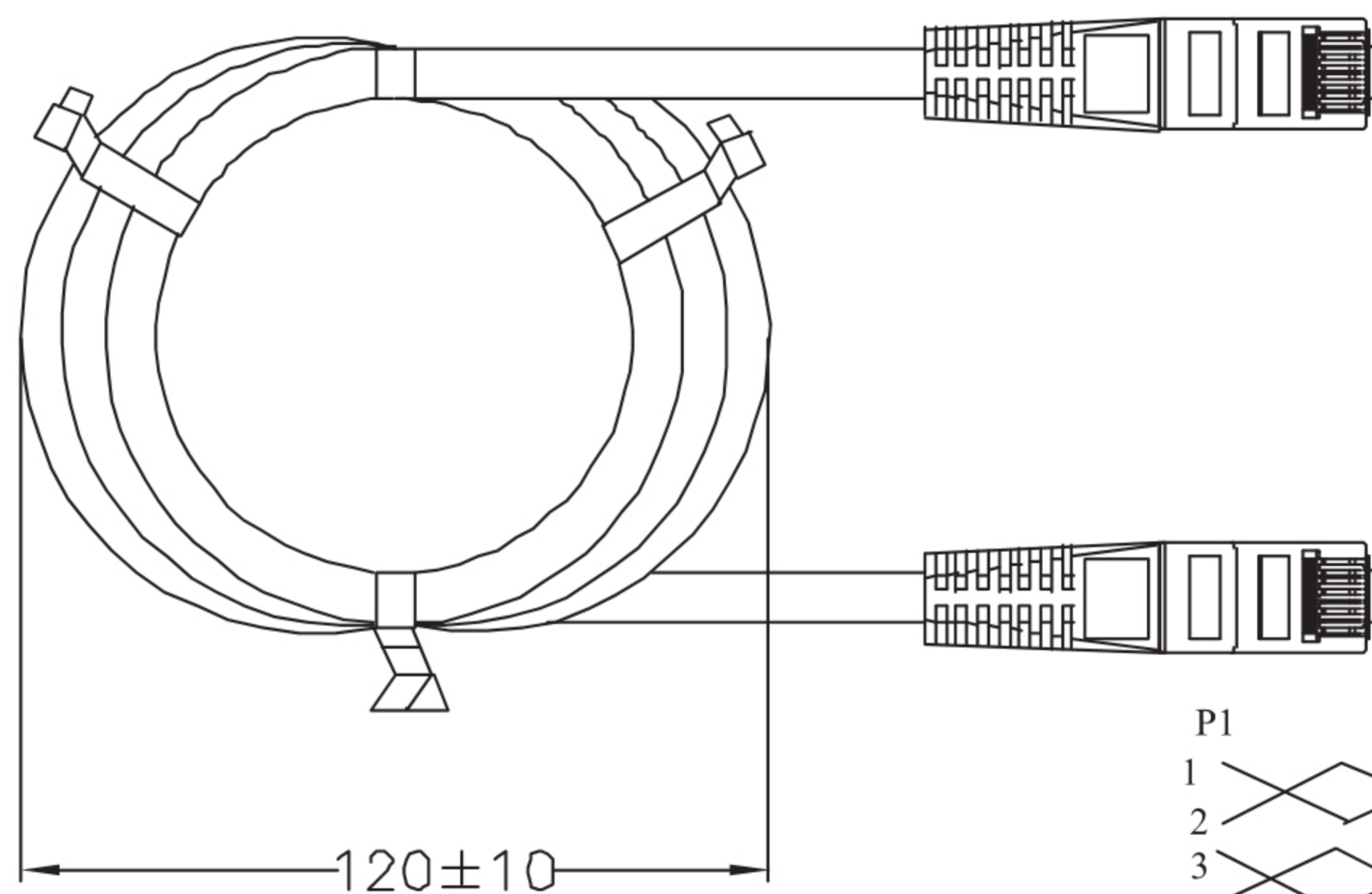
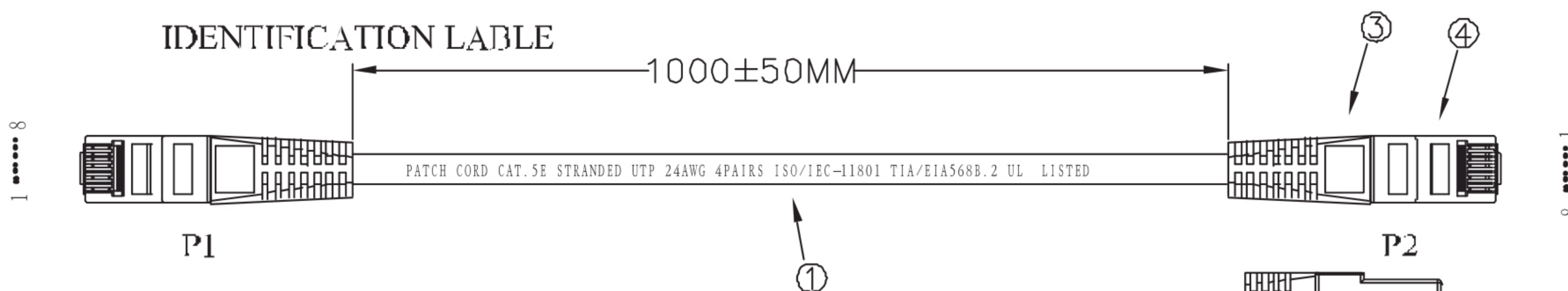
UTP CAT6 PATCH CORD SPECIFICATION



- 4PR:
 1. BLUE * WHITE/BLUE 2. ORANGE* WHITE /ORANGE
 3. GREEN* WHITE/GREEN 4. BROWN* WHITE/BROWN
 Length: 0.5m/1m/1.5m/2m/3m/5m/10m/15m/20m

SPECIFICATION	CAT.6 UTP 4P STRANDED 24AWG 250MHZ OD 6.1MM UL	
ITEM	SPECIFICATION	
CONDUCTOR	AWG	24AWG
	MATERIAL	BARE COPPER
	CONDUCTOR SIZE	7*0.20±0.005mm
INSULATION	AVG THICKNESS	0.195mm
	MIN THICKNESS	0.175mm
	MATERIAL	HDPE
	DIAMETER	0.98mm±0.05mm
JACKET	AVG THICKNESS	0.74mm
	MIN THICKNESS	0.68mm
	MATERIAL	PVC
	DIAMETER	6.10±0.20mm
	COLOUR	Black/red/white/orange/gray/green/blue/yellow
MARKING	PATCH CORD CAT.6 STRANDED UTP 24AWG 4PAIRS ISO/IEC 11801 TIA/EIA-568B.2.1 UL LISTED	
ELECTRICAL CHARACTERISTICS		PHYSICAL PROPERTIES
1, Rating Temp: 75 C 2, D-C Resistance: 9.4 ohm/100M at 20 degree C 3, Dielectric Strength: AC 0.75kv/m 4, Spark test: 2kv/0.15sec 5, Nominal impedance (OHMS): 100±15% 6, Pair-1P-Ground Capacitance Unbalance Max 330pf/100m 7, Propagation Delay Skew: 45nS/100M		1, Tensile Strength test are before aging: Sheath: >1.41kg/mm Insulation >1.68kg/mm 2, Tensile Strength test are after aging: Sheath >85% Tensile Strength test are before aging Insulation >75% Tensile Strength test are before aging 3, Elongation after aging: Sheath: >50% Elongation before aging Insulation >75% Elongation before aging

IDENTIFICATION LABEL

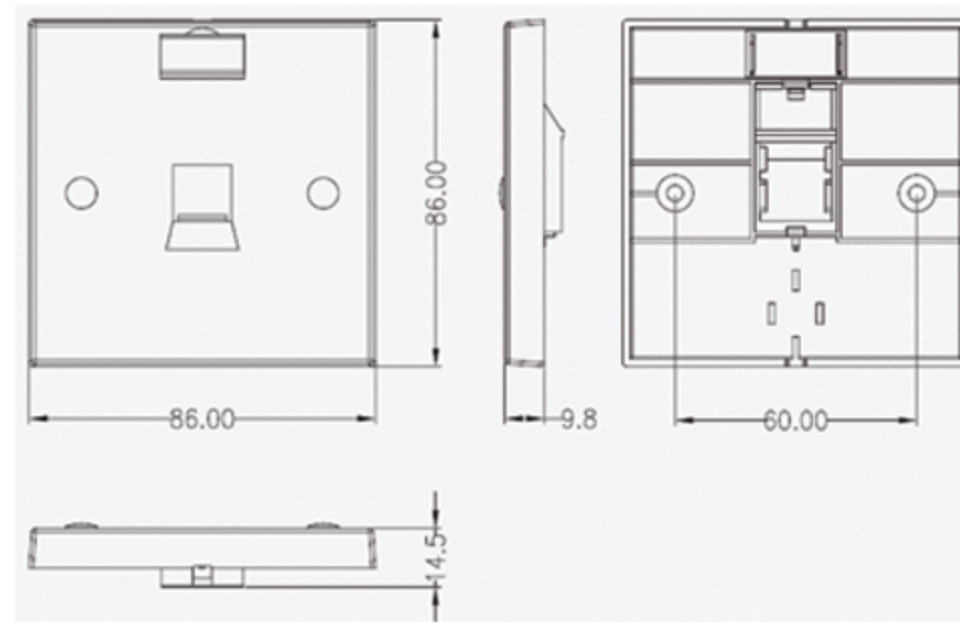
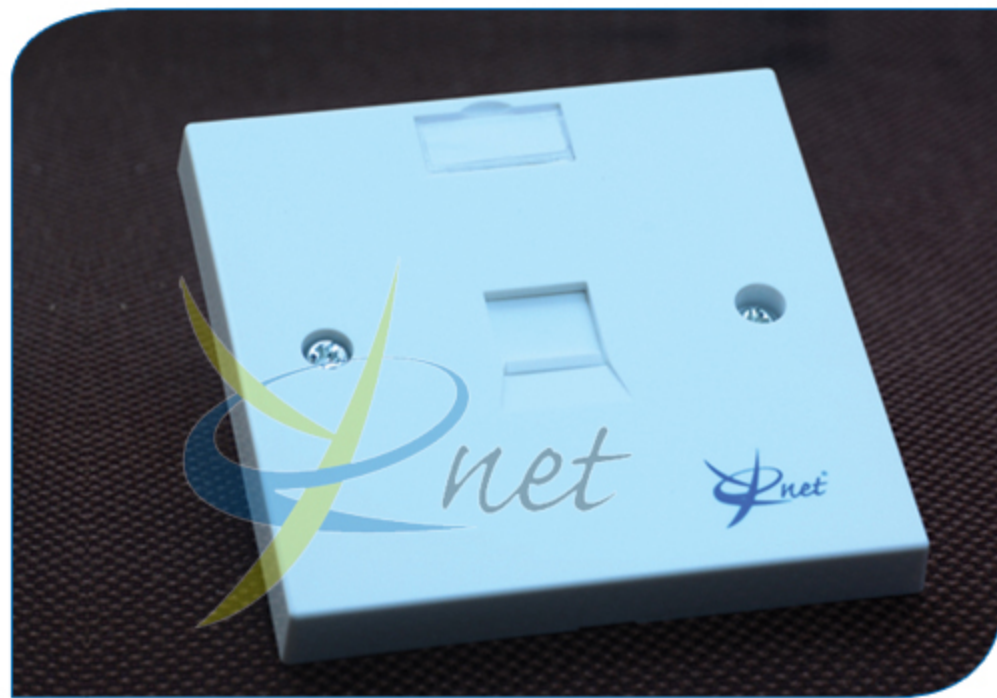


NOTES:

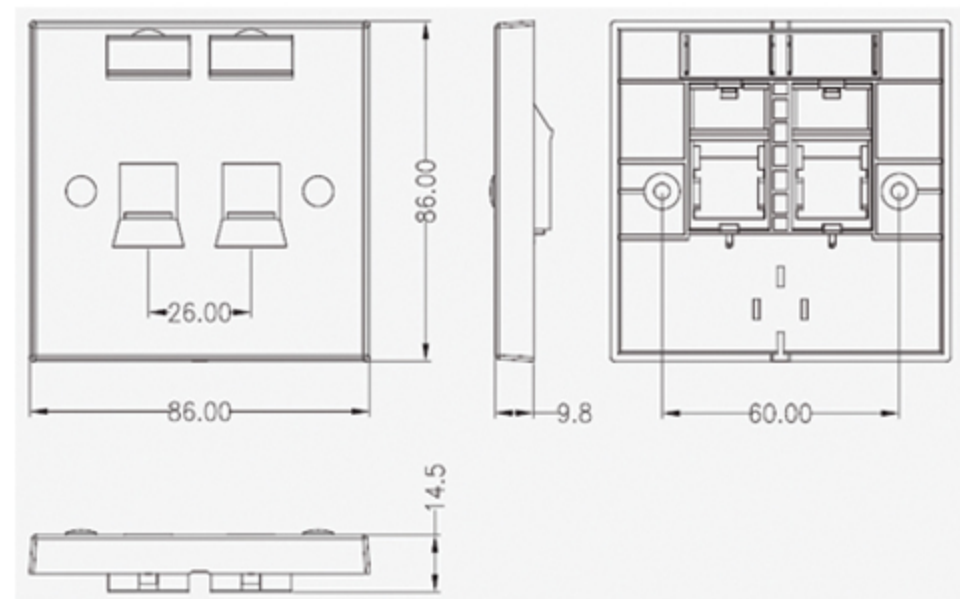
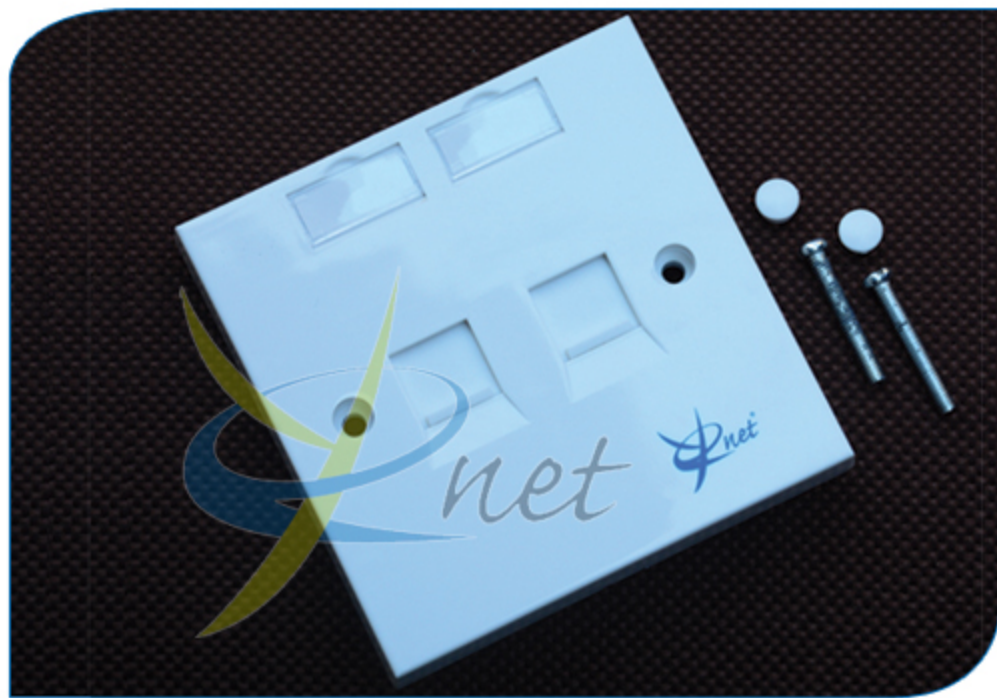
- CABLE: CAT5E UTP 24AWG (7*0.20) 4PAIR
- JACKET: Ø 5.5mm VL94V-0 PVC
- .RJ-45 PLUG : PC 8P8C

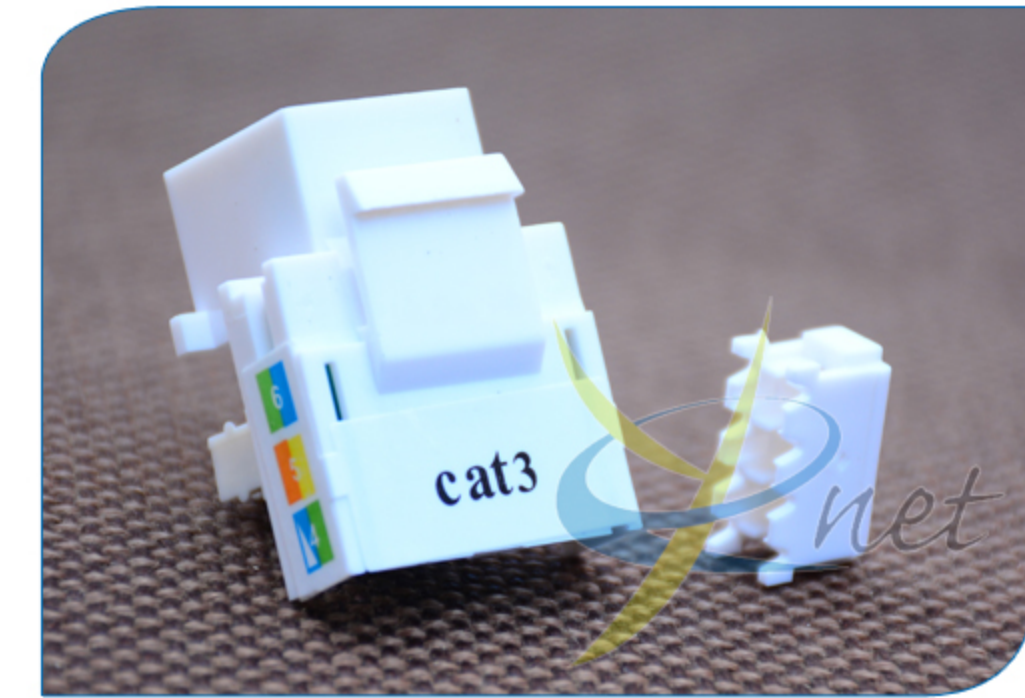


SINGLE FACE PLATE SPECIFICATIONS

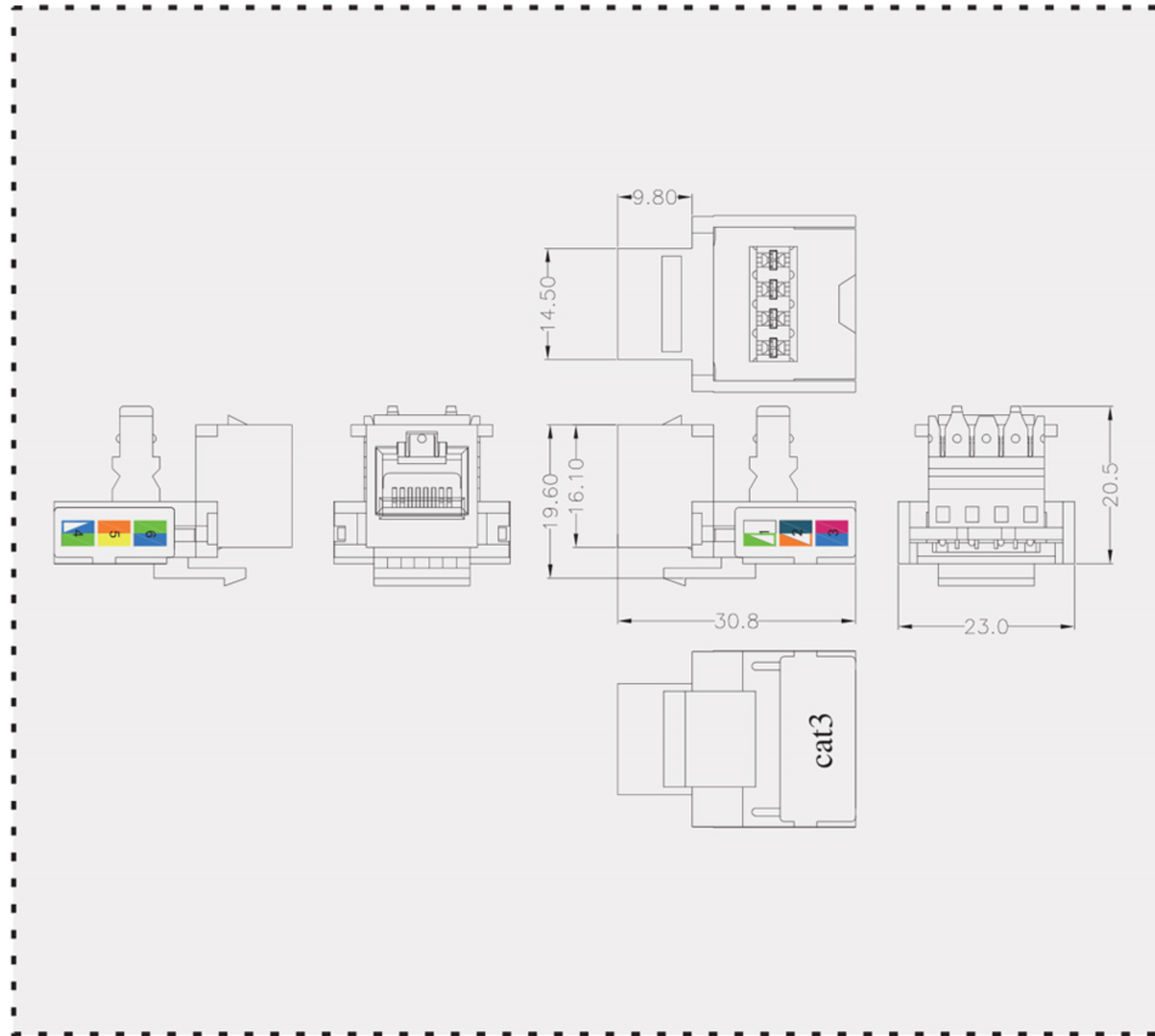


DUAL FACE PLATE SPECIFICATIONS





CAT 3 UTP TELEPHONE OUTLET SPECIFICATION



NOTES:

ELECTRICAL:

- 1. VOLTAGE RATING : 125 VAC RMS
- 2. CURRENT RATING : 1.5 AMP
- 3. CONTACT RESISTANCE : 100 MILLIOHMS MAX
- 4. INSULATION RESISTANCE: 1000 MEGOHMS MIN @ 500 VDC
- 5. DIELECTRIC STRENGTH : 750 VAC RMS 60Hz,1MIN

ENVIRONMENTAL:

- 1. STORAGE : -40° TO +70°
- 2. OPERATION: -10° TO +60°

CONFORM TO ANSI/TIA/EIA 568B CATEGORY 3

MATES WITH MODULAR PLUG CONFORMING TO FCC PART 68, SUBPART F.

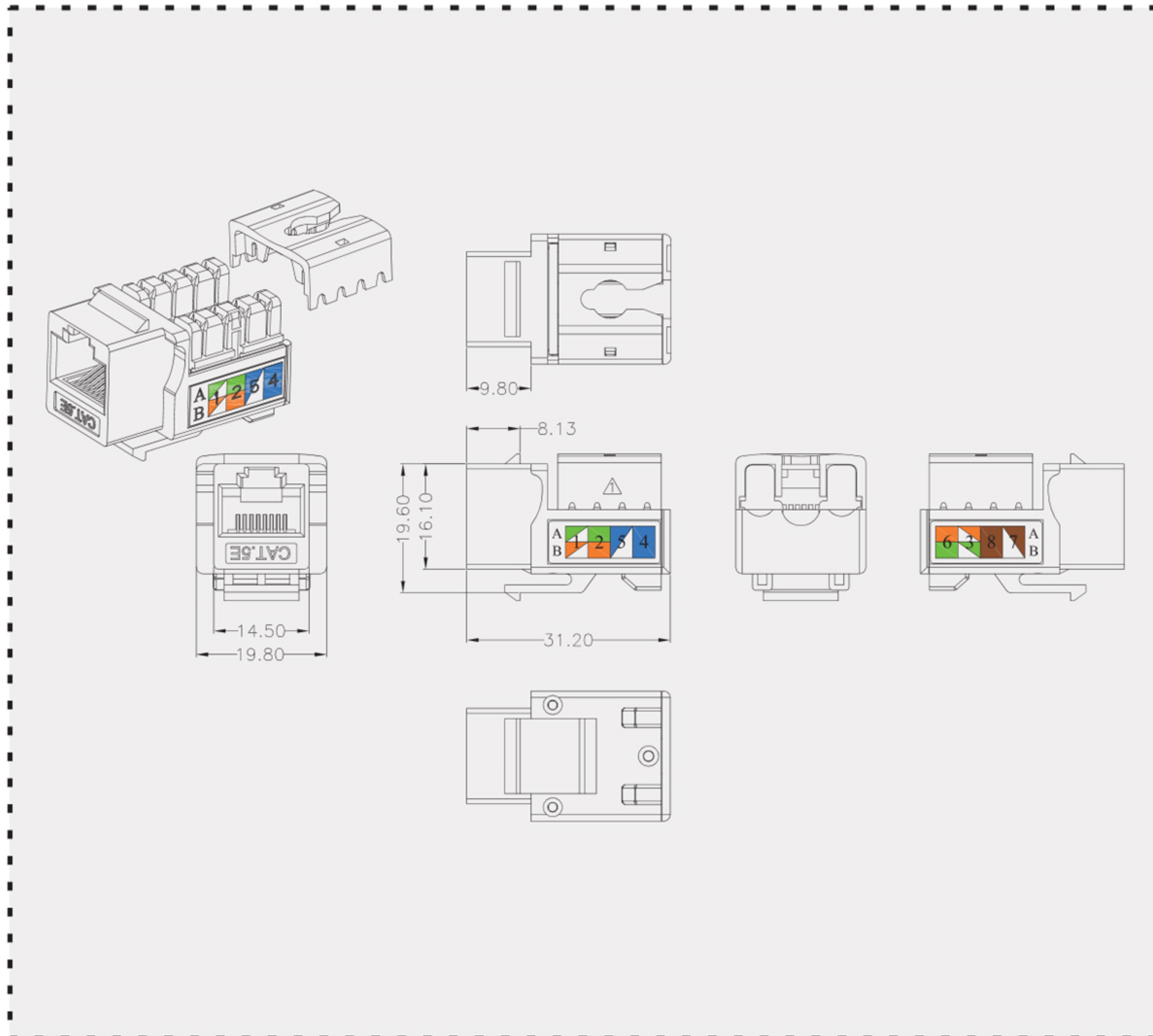
MECHANICAL:

- 1.HOUSING MATERIAL : PC
- 2.INSERT MATERIAL : PPO
- 3.PCB MATERIAL : FR-4 T=1.6mm
- 4.CONTACT MATERIAL : PHOSPHOR BRONZE STAMP PIN T=0.35mm
- 5.IDC CONTACT MATERIAL: PHOSPHOR BRONZE T=0.50mm WITH TIN PLATING
- 6.WIRE : AWG 24~26





UTP CAT5e INFORMATION OUTLET SPECIFICATION



NOTES:

ELECTRICAL:

1. VOLTAGE RATING : 125 VAC RMS
2. CURRENT RATING : 1.5 AMP
3. CONTACT RESISTANCE : 100 MILLIOHMS MAX
4. INSULATION RESISTANCE: 1000 MEGOHMS MIN @ 500 VDC
5. DIELECTRIC STRENGTH : 750 VAC RMS 60Hz,1MIN

ENVIRONMENTAL:

1. STORAGE : -40° TO +70°
2. OPERATION : -10° TO +60°

CONFORM TO TIA/EIA 568B CATEGORY 5e
 MATES WITH MODULAR PLUG CONFORMING TO FCC PART 68, SUBPART F.

MECHANICAL:

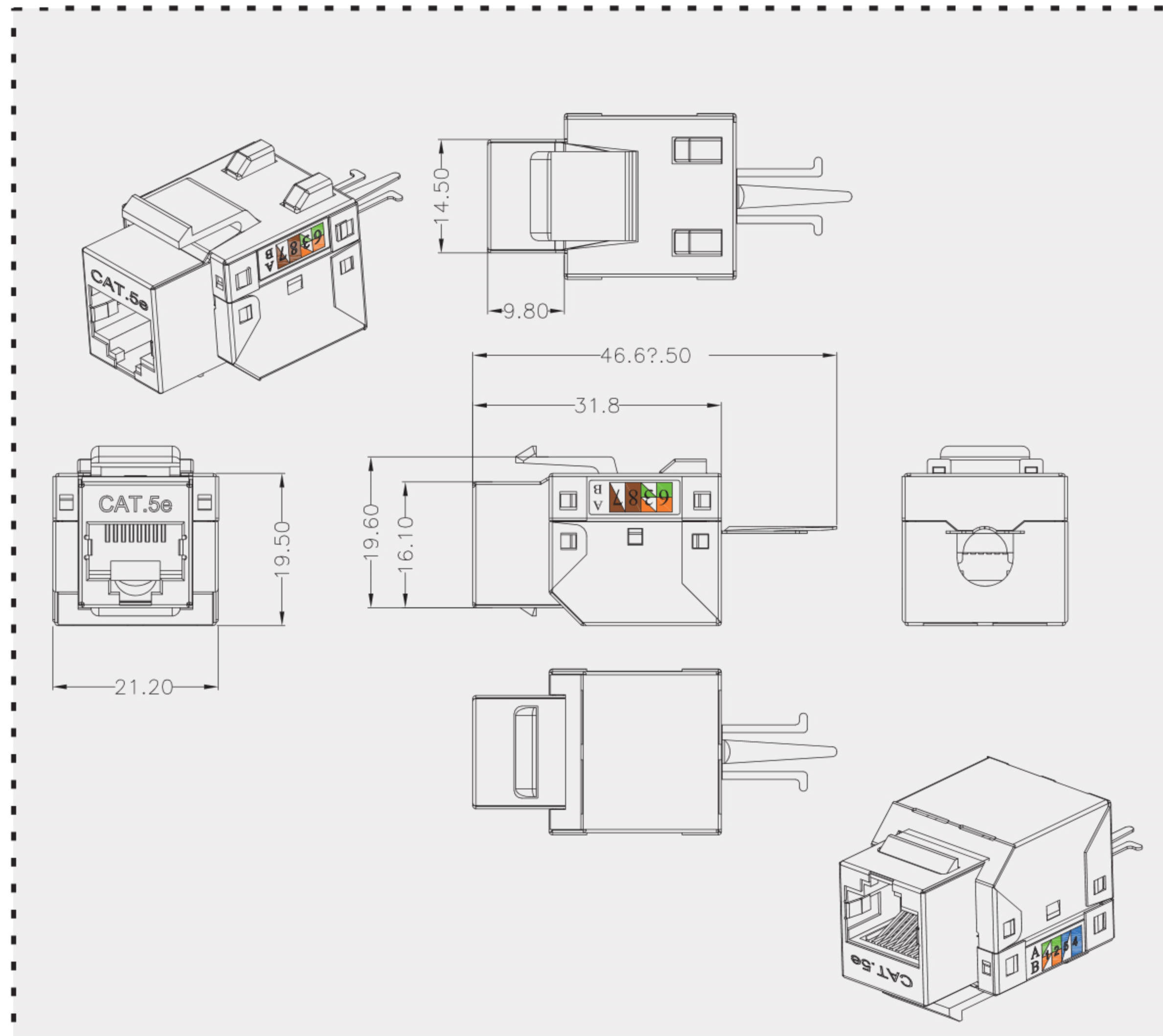
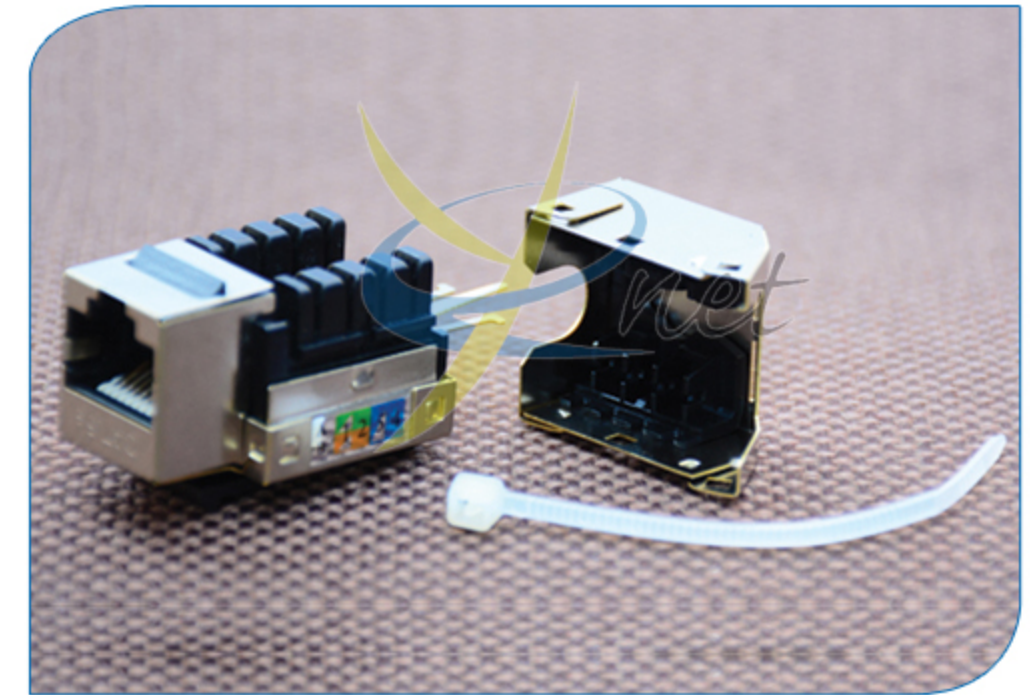
- 1.HOUSING MATERIAL : PC
- 2.INSERT MATERIAL : PBT+30%G.F
- 3.PCB MATERIAL : FR-4 T=1.6mm
- 4.CONTACT MATERIAL : PHOSPHOR BRONZE STAMP PIN T=0.30mm
- 5.IDC CONTACT MATERIAL: PHOSPHOR BRONZE T=0.50mm WITH TIN PLATING
- 6.RJ45 JACK LIFE : 750 TIMES MIN
- 7.IDC LIFE : 200 TIMES MIN
- 8.WIRE : AWG 22~24
- 9.TIA Cat 5e Perm. Link Test: Worst pair NEXT margin \geq 5.0dB
- 10.Retentiveness of insertion structure: 50N 60 \pm 5s

6. CATEGORY 5e CHARACTERISTIC:

Frequence	Near-End Cross Talk dB, MIN.	Return Loss dB, MIN.	Attenuation dB, MAX.
1.0 MHZ	65.0	35.5	0.1
4.0 MHZ	65.0	35.5	0.1
8.0 MHZ	64.9	35.5	0.1
10.0 MHZ	63.0	35.5	0.1
16.0 MHZ	58.9	35.5	0.2
20.0 MHZ	57.0	34.0	0.2
25.0 MHZ	55.0	32.0	0.2
31.25 MHZ	53.1	30.1	0.2
62.5 MHZ	47.1	24.0	0.3
100.0 MHZ	43.0	20.0	0.4



FTP CAT5e INFORMATION OUTLET SPECIFICATION



NOTES:

ELECTRICAL:

1. VOLTAGE RATING : 125 VAC RMS
2. CURRENT RATING : 1.5 AMP
3. CONTACT RESISTANCE : 100 MILLIOHMS MAX
4. INSULATION RESISTANCE : 1000 MEGOHMS MIN @ 500 VDC
5. DIELECTRIC STRENGTH : 750 VAC RMS 60Hz,1MIN

ENVIRONMENTAL:

1. STORAGE : -40° TO +70°
2. OPERATION : -10° TO +60°

CONFORM TO TIA/EIA 568B CATEGORY 5e
 MATES WITH MODULAR PLUG CONFORMING TO FCC PART 68, SUBPART F.

MECHANICAL:

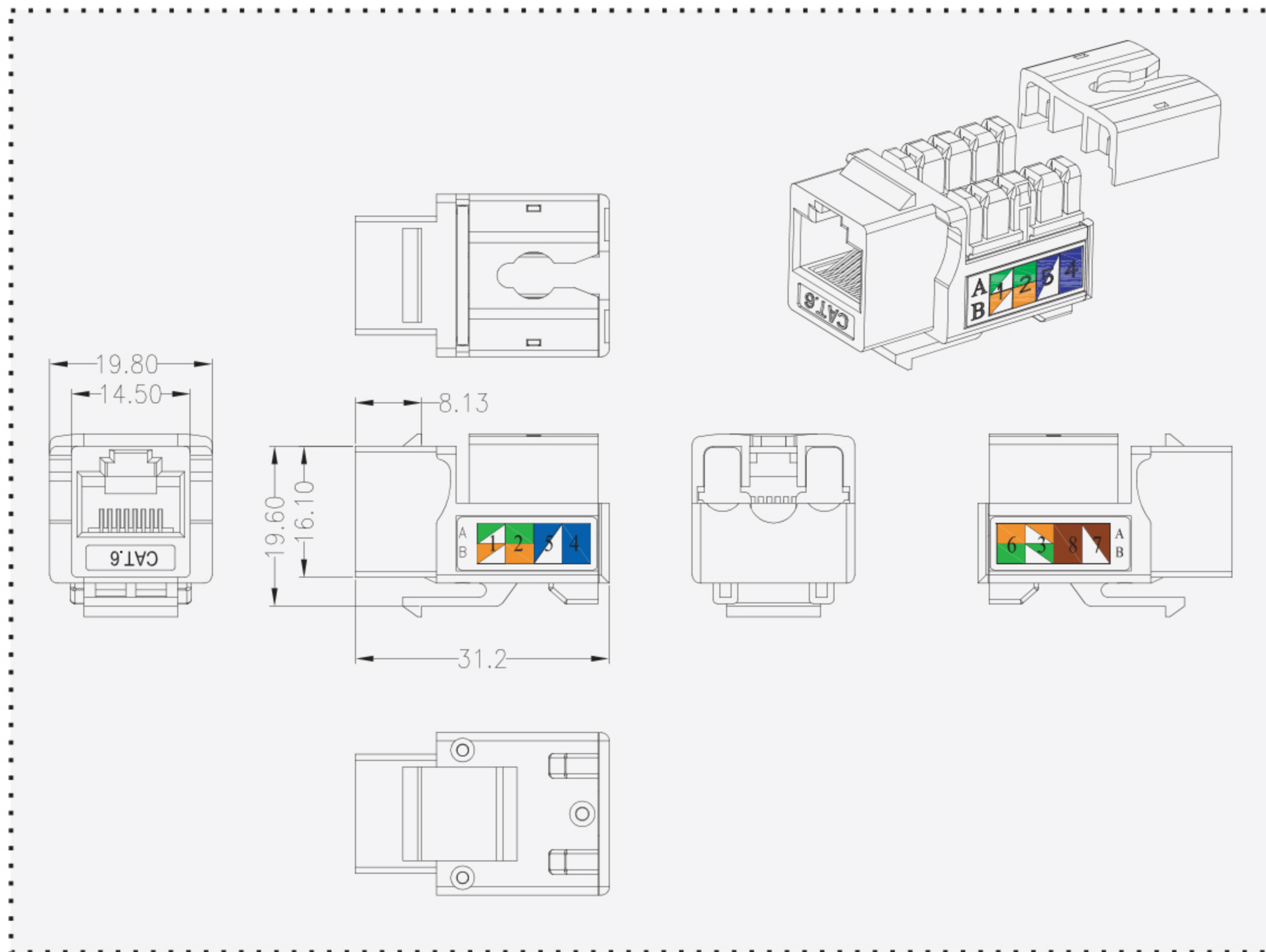
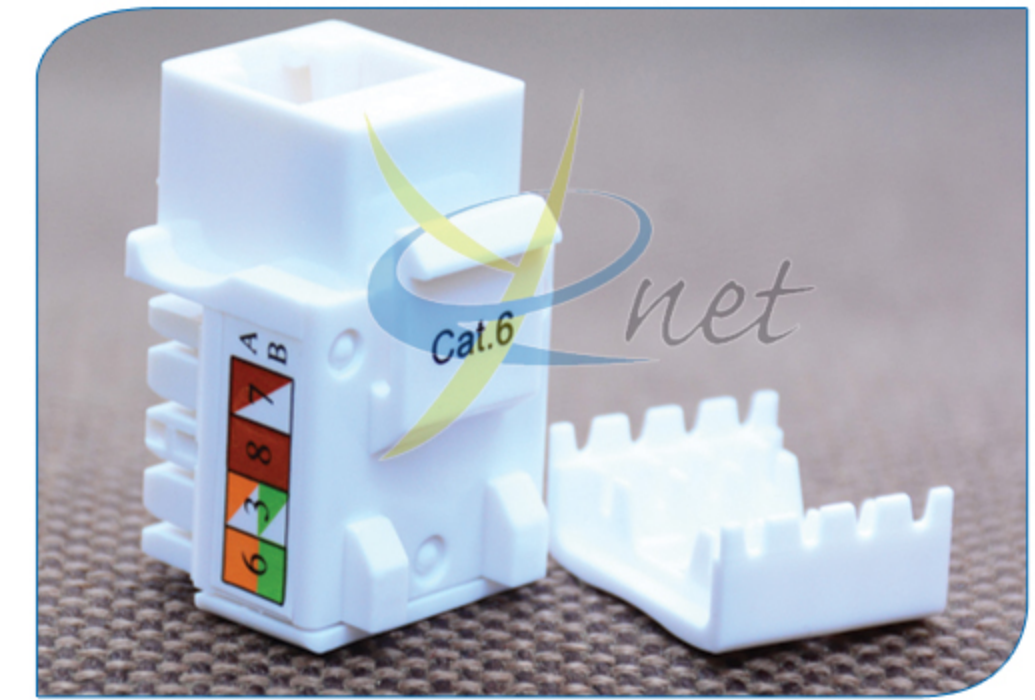
1. SHIELD MATERIAL : BRASS H65 T=0.30mm WITH NICKEL PLATING
2. HOUSING MATERIAL : PC
3. INSERT MATERIAL : PBT+30%G.F
4. PCB MATERIAL : FR-4 T=1.6mm
5. CONTACT MATERIAL : PHOSPHOR BRONZE STAMP PIN T=0.30mm
6. IDC CONTACT MATERIAL: PHOSPHOR BRONZE T=0.50mm WITH TIN PLATING
7. RJ45 JACK LIFE : 750 TIMES MIN
8. IDC LIFE : 200 TIMES MIN
9. WIRE : AWG 22~24
10. TIA Cat 5e Perm. Link Test: Worst pair NEXT margin \geq 5.0dB
11. Retentiveness of insertion structure: 50N 60 \pm 5s

6. CATEGORY 5e CHARACTERISTIC.

Frequency	Near-End Cross Talk dB, MIN.	Return Loss dB, MIN.	Attenuation dB, MAX.
1.0 MHZ	65.0	35.5	0.1
4.0 MHZ	65.0	35.5	0.1
8.0 MHZ	64.9	35.5	0.1
10.0 MHZ	63.0	35.5	0.1
16.0 MHZ	58.9	35.5	0.2
20.0 MHZ	57.0	34.0	0.2
25.0 MHZ	55.0	32.0	0.2
31.25 MHZ	53.1	30.1	0.2
62.5 MHZ	47.1	24.0	0.3
100.0 MHZ	43.0	20.0	0.4



UTP CAT6 INFORMATION OUTLET SPECIFICATION



NOTES:

ELECTRICAL:

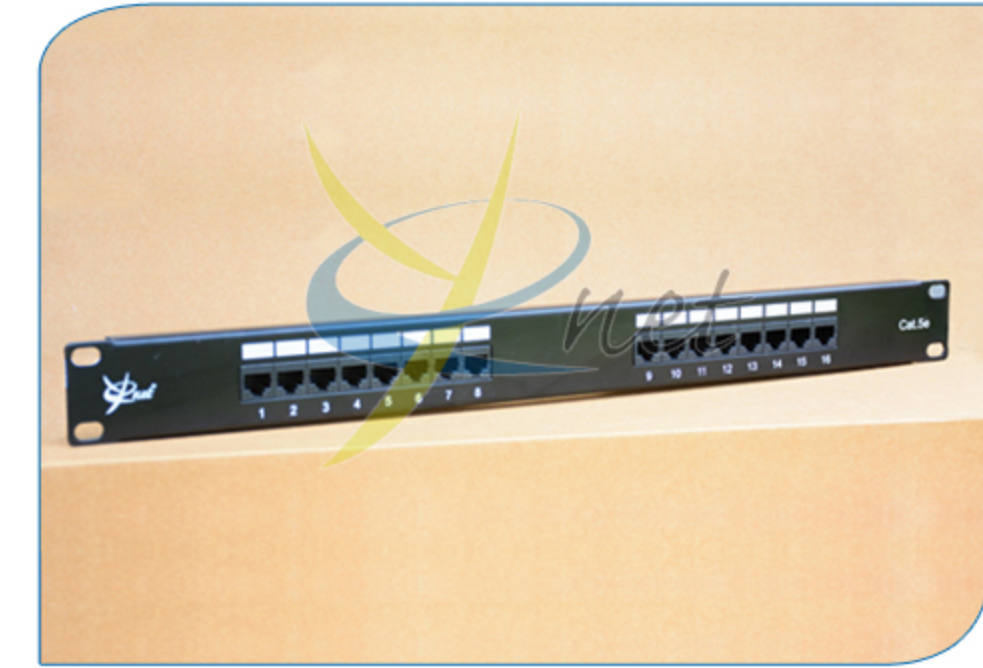
- | | |
|-------------------------|-------------------------------------|
| 1.VOLTAGE RATING | : 125 VAC RMS |
| 2.CURRENT RATING | : 1.5 AMP |
| 3.CONTACT RESISTANCE | : 100 MILLIOHMS MAX |
| 4.INSULATION RESISTANCE | : 1000 MEGOHMS MIN @ 500 VDC |
| 5.DIELECTRIC STRENGTH | : 750 VAC RMS 60Hz,1MIN |
| 6.C6 PERMANENT LINK | : CONFORM TO ANSI/TIA/EIA-568 B.2-1 |

ENVIRONMENTAL:

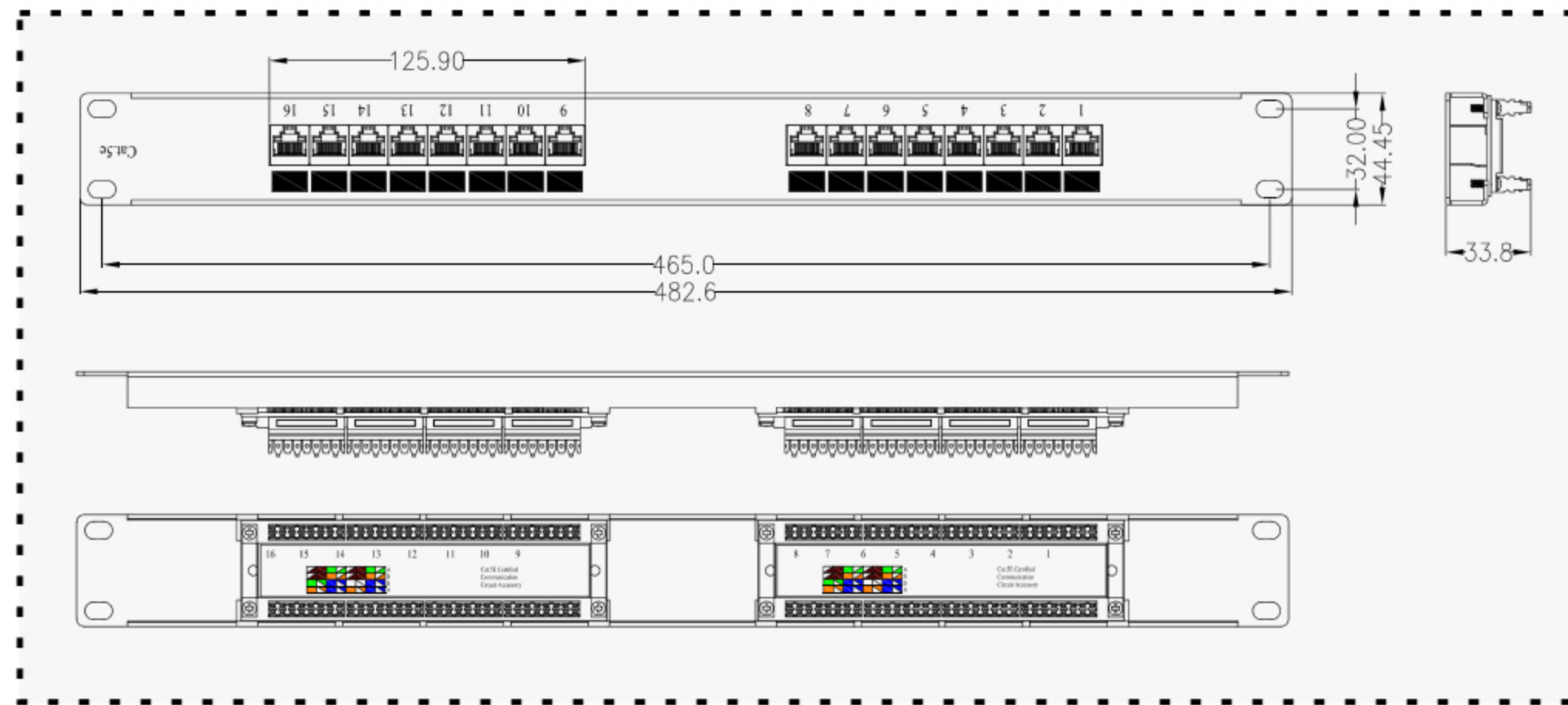
- | | |
|-------------|----------------|
| 1.STORAGE | : -40° TO +85° |
| 2.OPERATION | : 0° TO 70° |
- MATES WITH MODULAR PLUG CONFORMING TO FCC PART 68,SUBPART F.

MECHANICAL:

- | | |
|-------------------------|--|
| 1.HOUSING MATERIAL | : PC UL94V-0 |
| 2. INSERT MATERIAL | : FLAME RETARDANCY ABS UL94V-0 |
| 3. PCB MATERIAL | : FR-4 THICKNESS:1.6mm |
| 4. CONTACT MATERIAL | : PHOSPHOR BRONZE STAMP PIN T=0.35mm |
| 5. IDC CONTACT MATERIAL | : PHOSPHOR BRONZE T=0.50mm WITH NICKEL PLATING |
| 6. WIRE | : AWG 24~26 |



UTP CAT5e 16 PORT PATCH PANEL SPECIFICATION



6. CATEGORY 5e CHARACTERISTIC:

		Near-End Cross Talk dB, MIN.	Return Loss dB, MIN.	Attenuation dB,MAX.
1.0	MHZ	65.5	35.5	0.1
4.0	MHZ	65.5	35.5	0.1
8.0	MHZ	64.9	35.5	0.1
10.0	MHZ	63.0	35.5	0.1
16.0	MHZ	58.9	35.5	0.2
20.0	MHZ	57.0	34.0	0.2
25.0	MHZ	55.0	32.0	0.2
31.25	MHZ	53.1	30.1	0.2
62.5	MHZ	47.1	24.0	0.3
100.0	MHZ	43.0	20.0	0.4

NOTE:

ELECTRICAL :

- 1.VOLTAGE RATING : 125 VAC RMS
- 2.CURRENT RATING : 1.5 AMP
- 3.CONTACT RESISTANCE :100 MILLIOHMS MAX
- 4.INSULATION RESISTANCE :1000 MEGOHMS MIN @ 500 VDC
- 5.DIELECTRIC STRENGTH :750 VAC RMS 60Hz,1MIN

ENVIRONMENTAL :

- 1.STORAGE : -40°O +85°
- 2.OPERATION : 0° TO 70°
- CONFORM TO TIA/EIA 568B CATEGORY 5e
- MATES WITH MODULAR PLUG CONFORMING TO FCC PART 68,SUBPART F.

MECHANICAL :

- 1. HOUSING MATERIAL :PBT+15%GF UL94V-0
- 2.PANEL FRAME :CARBON STEEL,POWDER COATING IN BLACK COLOR
- 3. CONTACT MATERIAL :PC UL94V-0 CONTACT:PHOSPHOR BRONZE WITH NICKEL PLATING
- 4. RJ45 JACK LIFE :750 TIMES MIN
- 5.IDC LIFE :200 TIMES MIN
- 6.WIRE :AWG 24~26



UTP CAT5e 24 PORT PATCH PANEL SPECIFICATION



NOTES:

ELECTRICAL:

1. VOLTAGE RATING : 125 VAC RMS
2. CURRENT RATING : 1.5 AMP
3. CONTACT RESISTANCE : 100 MILLIOHMS MAX
4. INSULATION RESISTANCE: 1000 MEGOHMS MIN @ 500 VDC
5. DIELECTRIC STRENGTH : 750 VAC RMS 60Hz,1MIN

ENVIRONMENTAL:

1. STORAGE : -40° TO +70°
2. OPERATION : -10° TO +60°

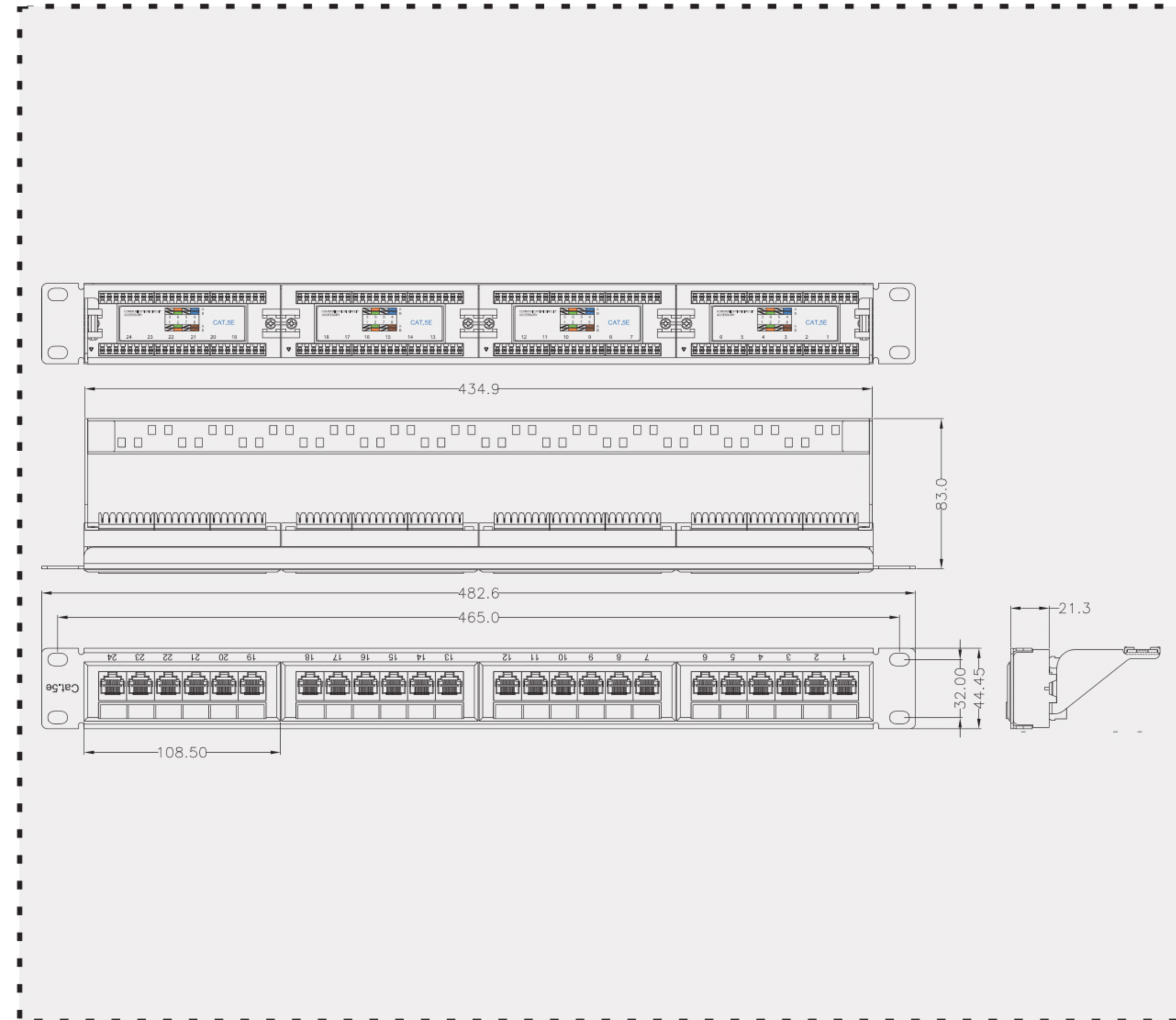
CONFORM TO TIA/EIA 568B CATEGORY 5e
 MATES WITH MODULAR PLUG CONFORMING TO FCC PART 68,

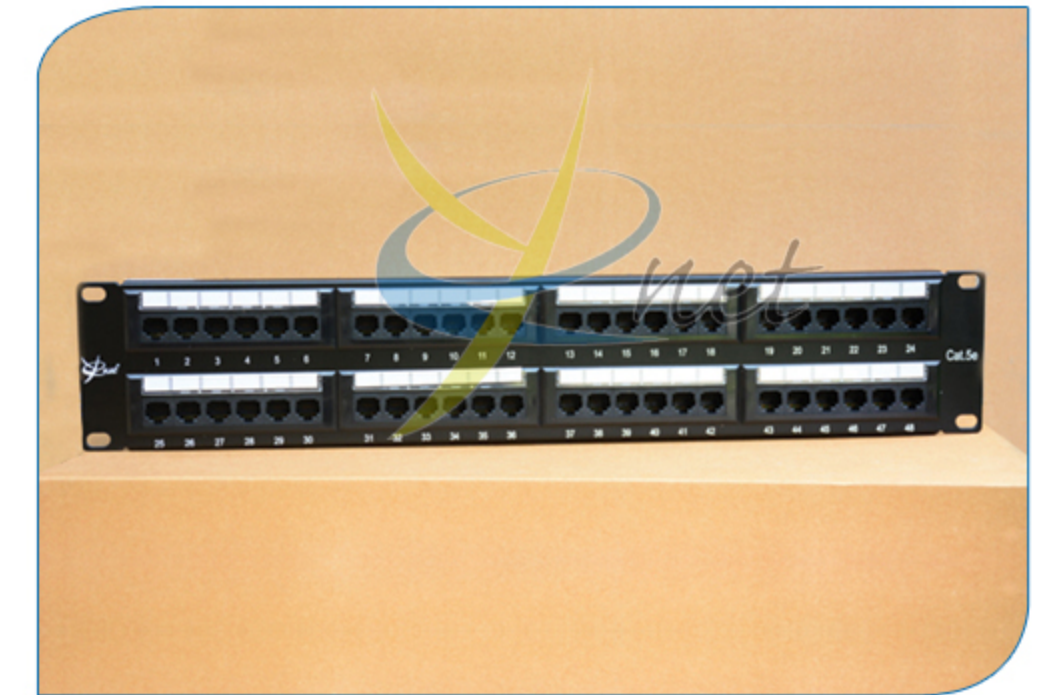
MECHANICAL:

- 1.HOUSING MATERIAL: PBT
- 2.PANEL FRAME : ST12,POWDER COATING IN BLACK COLOR
- 3.IDC MATERIAL : PC, TERMINAL:PHOSPHOR BRONZE,TIN PLATIN
- 4.RJ45 JACK LIFE : 750 TIMES MIN
- 5.IDC LIFE : 200 TIMES MIN
- 6.WIRE : AWG 22~26
- 7.TIA Cat 5e Perm. Link Test: Worst pair NEXT margin≥5.0dB
- 8.Retentiveness of insertion structure: 50N 60±5s

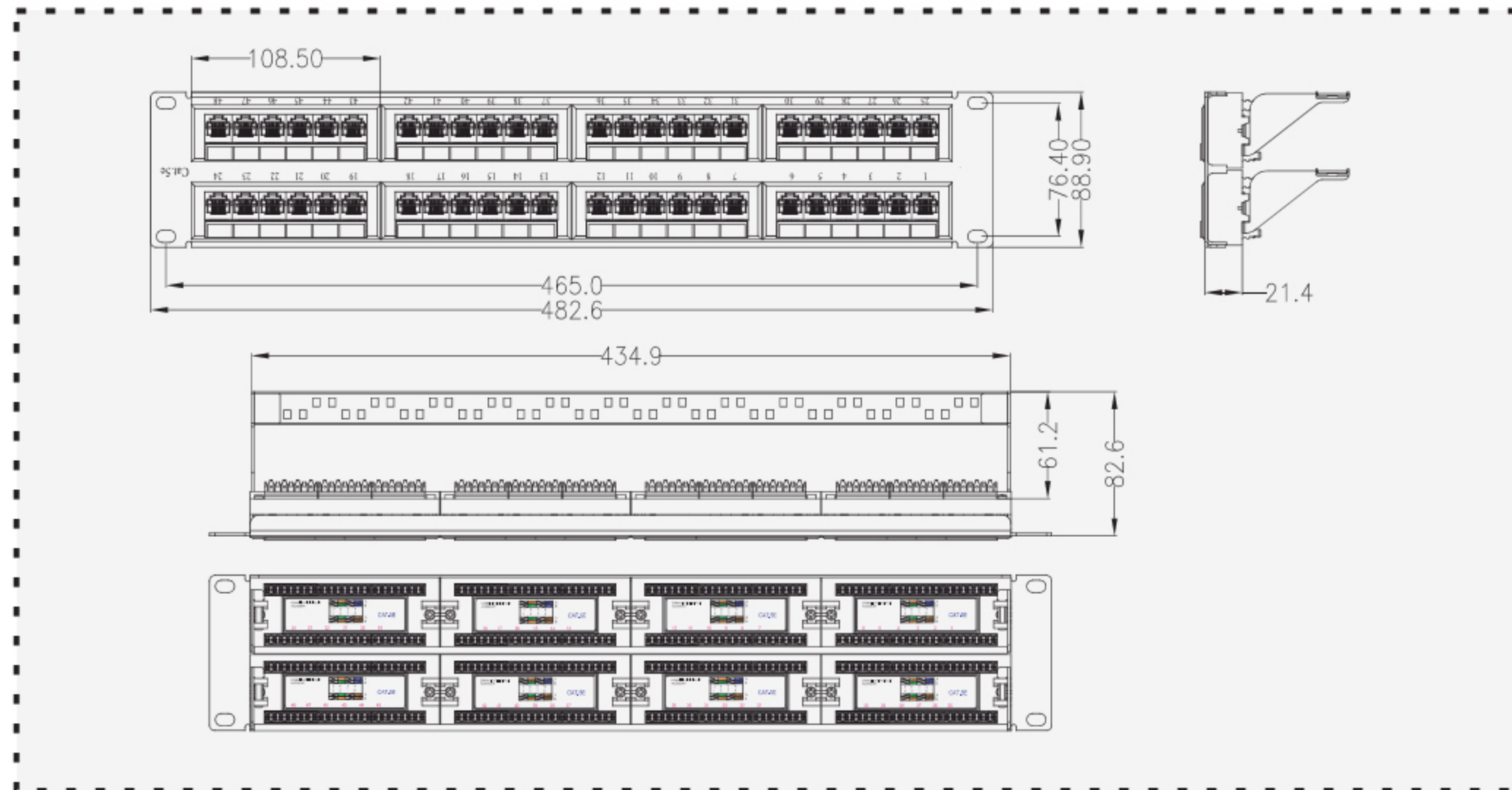
6. CATEGORY 5e CHARACIERISIIC:

Frequence	Near-End Cross Talk dB, MIN.	Return Loss dB, MIN.	Attenuation dB, MAX.
1.0 MHZ	65.0	35.5	0.1
4.0 MHZ	65.0	35.5	0.1
8.0 MHZ	64.9	35.5	0.1
10.0 MHZ	63.0	35.5	0.1
16.0 MHZ	58.9	35.5	0.2
20.0 MHZ	57.0	34.0	0.2
25.0 MHZ	55.0	32.0	0.2
31.25 MHZ	53.1	30.1	0.2
62.5 MHZ	47.1	24.0	0.3
100.0 MHZ	43.0	20.0	0.4





UTP CAT5e 48 PORT PATCH PANEL SPECIFICATION



6. CATEGORY 5e CHARACTERISTIC:

Frequency	Near-End Cross Talk dB, MIN.	Return Loss dB, MIN.	Attenuation dB,MAX.
1.0 MHZ	65.0	35.5	0.1
4.0 MHZ	65.0	35.5	0.1
8.0 MHZ	64.9	35.5	0.1
10.0 MHZ	63.0	35.5	0.1
16.0 MHZ	58.9	35.5	0.2
20.0 MHZ	57.0	34.0	0.2
25.0 MHZ	55.0	32.0	0.2
31.25 MHZ	53.1	30.1	0.2
62.5 MHZ	47.1	24.0	0.3
100.0 MHZ	43.0	20.0	0.4

NOTES:

ELECTRICAL:

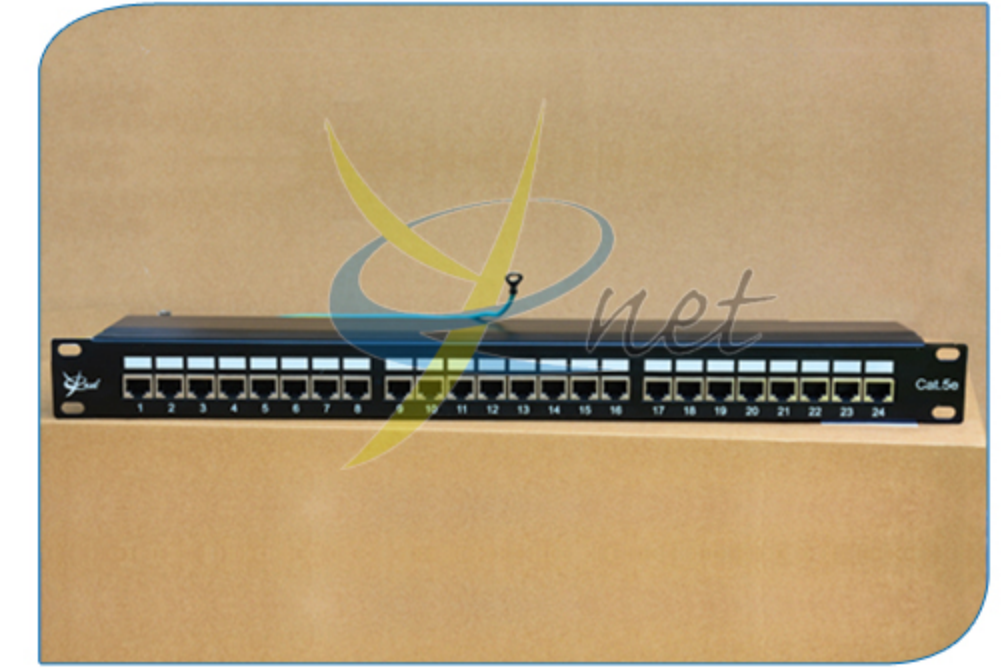
- 1.VOLTAGE RATING : 125 VAC RMS
- 2.CURRENT RATING : 1.5 AMP
- 3.CONTACT RESISTANCE :100 MILLIOHMS MAX
- 4.INSULATION RESISTANCE :1000 MEGOHMS MIN @ 500 VDC
- 5.DIELECTRIC STRENGTH :750 VAC RMS 60Hz,1MIN

ENVIRONMENTAL :

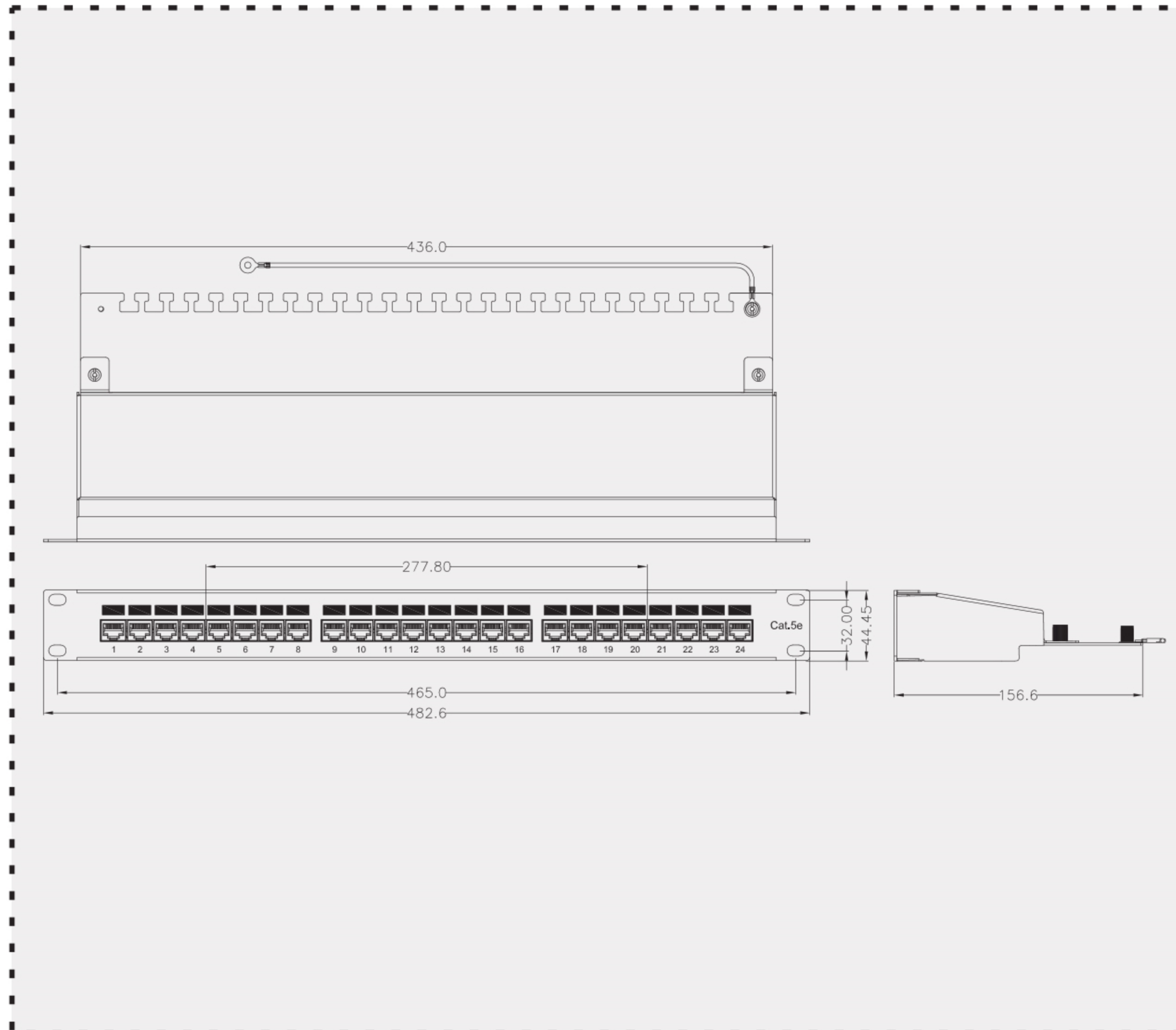
- 1.STORAGE :-40°O +85°
- 2.OPERATION :0° TO 70°
- CONFORM TO TIA/EIA 568B CATEGORY 5e
- MATES WITH MODULAR PLUG CONFORMING TO FCC PART 68,SUBPART F.

MECHANICAL :

- 1. HOUSING MATERIAL :PBT+15%GF UL94V-0
- 2.PANEL FRAME :CARBON STEEL,POWDER COATING IN BLACK COLOR
- 3. CONTACT MATERIAL :PC UL94V-0 CONTACT:PHOSPHOR BRONZE WITH NICKEL PLATING
- 4. RJ45 JACK LIFE :750 TIMES MIN
- 5.IDC LIFE :200 TIMES MIN
- 6.WIRE :AWG 24~26



FTP CAT5e 24 PORT PATCH PANEL SPECIFICATION



NOTES:

ELECTRICAL:

1. VOLTAGE RATING : 125 VAC RMS
2. CURRENT RATING : 1.5 AMP
3. CONTACT RESISTANCE : 100 MILLIOHMS MAX
4. INSULATION RESISTANCE: 1000 MEGOHMS MIN @ 500 VDC
5. DIELECTRIC STRENGTH : 750 VAC RMS 60Hz,1MIN

ENVIRONMENTAL:

1. STORAGE : -40° TO +70°
2. OPERATION : -10° TO +60°

CONFORM TO TIA/EIA 568B CATEGORY 5e
 MATES WITH MODULAR PLUG CONFORMING TO FCC PART 68,

MECHANICAL:

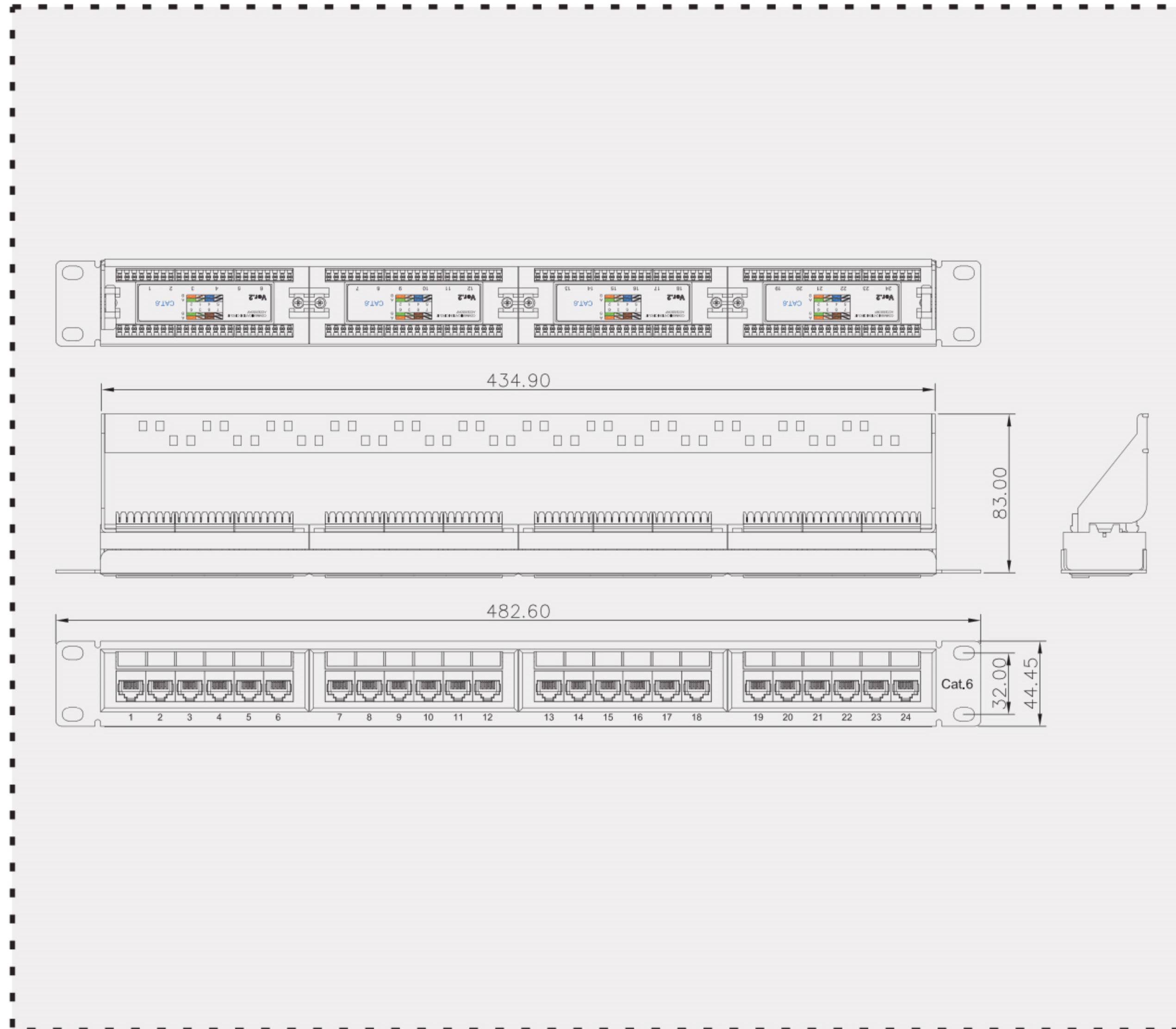
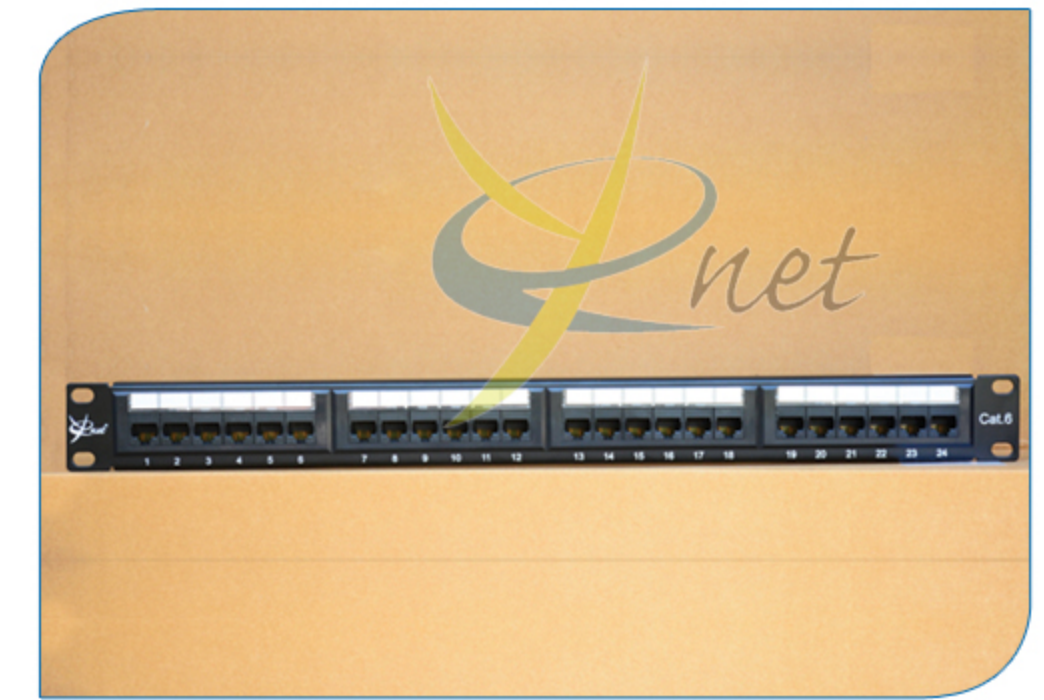
- 1.HOUSING MATERIAL: PBT+20%GF
- 2.PANEL FRAME : ST12, POWDER COATING IN BLACK COLOR
- 3.IDC MATERIAL : PC,TERMINAL:PHOSPHOR BRONZE,TIN PLATING
- 4.RJ45 JACK LIFE : 750 TIMES MIN
- 5.IDC LIFE : 200 TIMES MIN
- 6.WIRE : AWG 22-26
- 7.TIA Cat 5e Perm. Link Test: Worst pair NEXT margin \geq 5.0dB
- 8.Retentiveness of insertion structure: 50N 60 \pm 5s

6. CATEGORY 5e CHARACTERISTIC:

Frequency	Near-End Cross Talk dB, MIN.	Return Loss dB, MIN.	Attenuation dB, MAX.
1.0 MHZ	65.0	35.5	0.1
4.0 MHZ	65.0	35.5	0.1
8.0 MHZ	64.9	35.5	0.1
10.0 MHZ	63.0	35.5	0.1
16.0 MHZ	58.9	35.5	0.2
20.0 MHZ	57.0	34.0	0.2
25.0 MHZ	55.0	32.0	0.2
31.25 MHZ	53.1	30.1	0.2
62.5 MHZ	47.1	24.0	0.3
100.0 MHZ	43.0	20.0	0.4



UTP CAT6 24 PORT PATCH PANEL SPECIFICATION



NOTES:

ELECTRICAL:

- 1. VOLTAGE RATING : 125 VAC RMS
- 2. CURRENT RATING : 1.5 AMP
- 3. CONTACT RESISTANCE : 100 MILLIOHMS MAX
- 4. INSULATION RESISTANCE : 1000 MEGOHMS MIN @ 500 VDC
- 5. DIELECTRIC STRENGTH : 750 VAC RMS 60Hz,1MIN
- 6. C6 PERMANENT LINK : CONFORM TO ANSI/TIA/EIA-568 B.2-1

ENVIRONMENTAL:

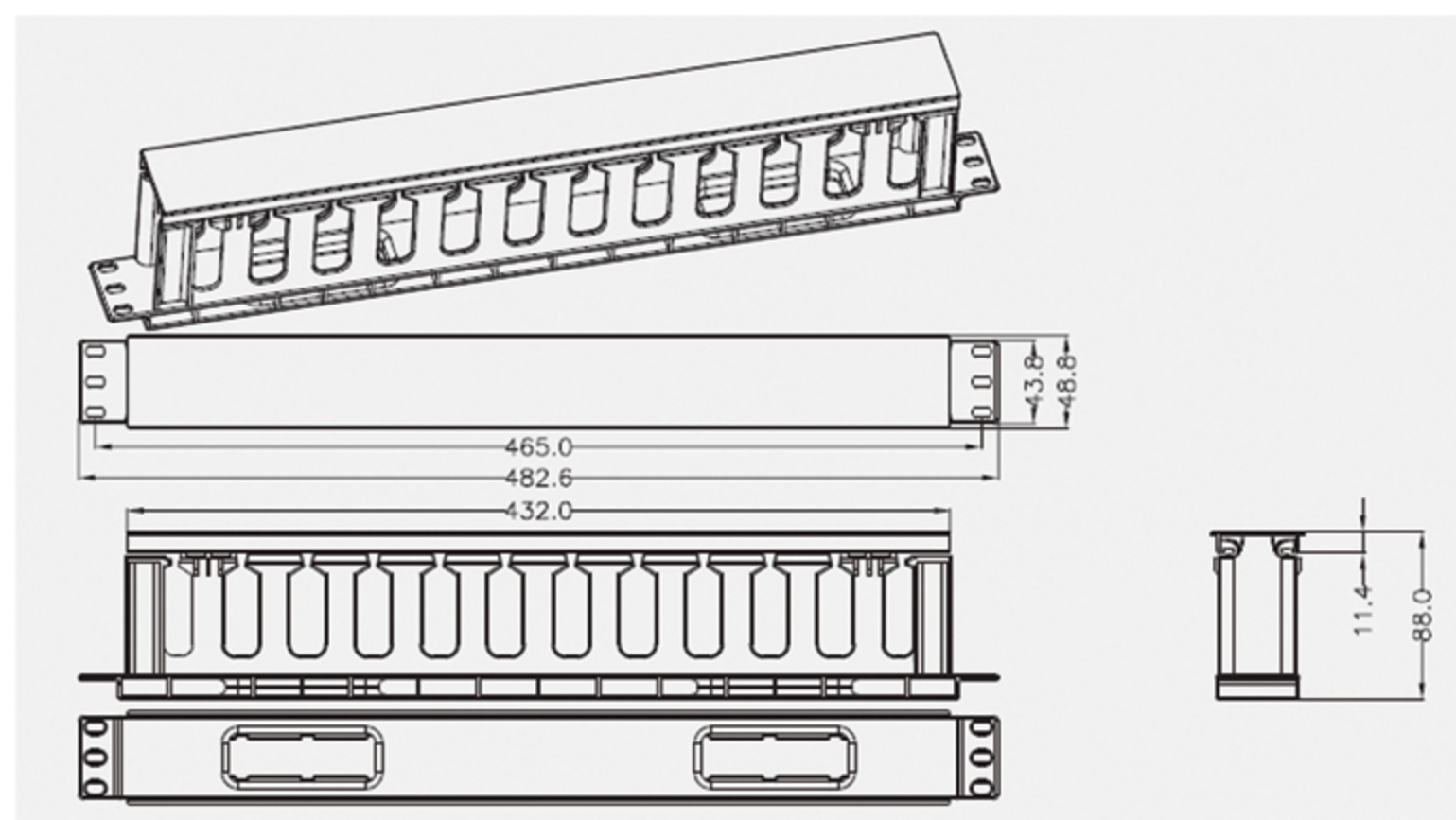
- 1. STORAGE : -40° TO +70°
- 2. OPERATION: -10° TO +60°
- MATES WITH MODULAR PLUG CONFORMING TO FCC PART 68

MECHANICAL:

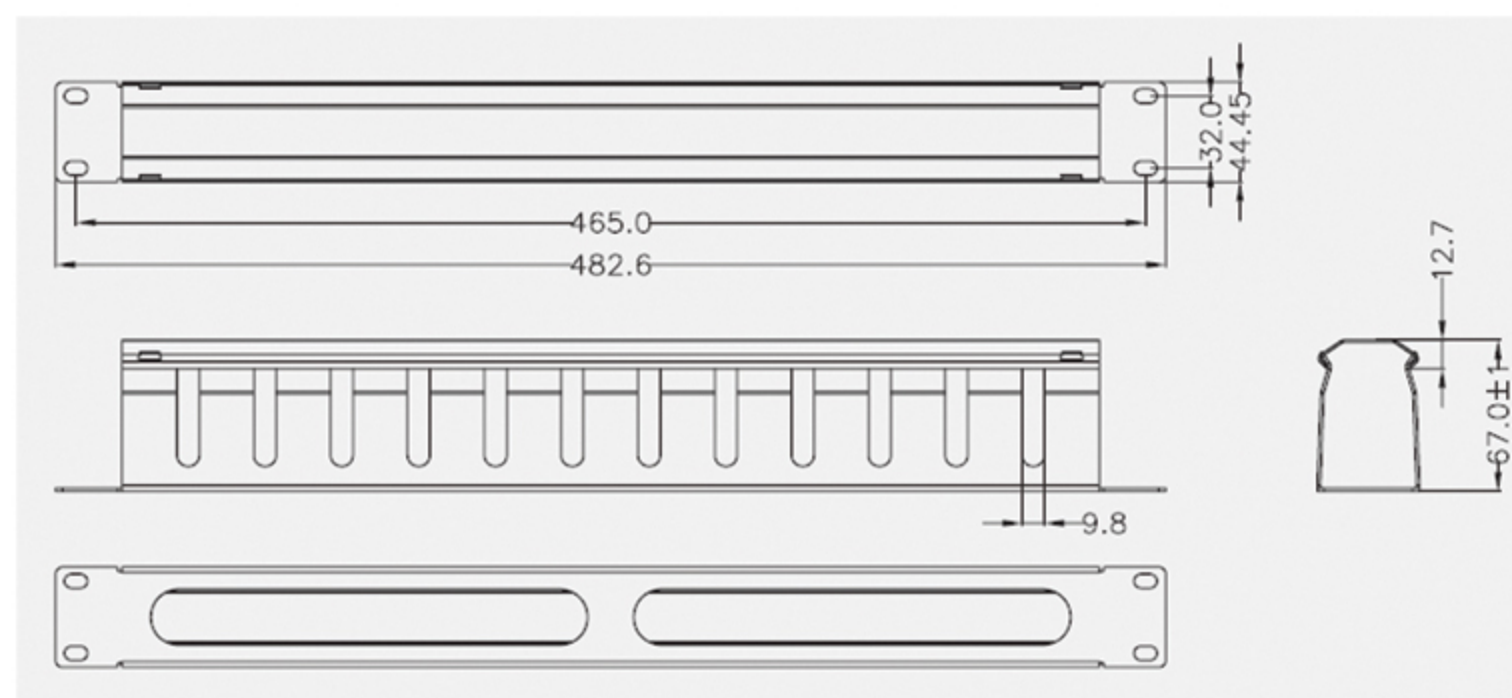
- 1.HOUSING MATERIAL: PBT+30%G.F
- 2.PANEL FRAME : ST12,POWDER COATING IN BLACK COLOR
- 3.IDC MATERIAL : PC, TERMINAL:PHOSPHOR BRONZE,TIN PLATING
- 4.RJ45 JACK LIFE : 750 TIMES MIN
- 5.IDC LIFE : 200 TIMES MIN
- 6.WIRE : AWG 22~26
- 7.TIA Cat 6 Perm. Link Test: Worst pair NEXT margin \geq 3.0dB
- 8.Retentiveness of insertion structure: 50N 60 \pm 5s



PLASTIC CABLE MANAGEMENT SPECIFICATIONS

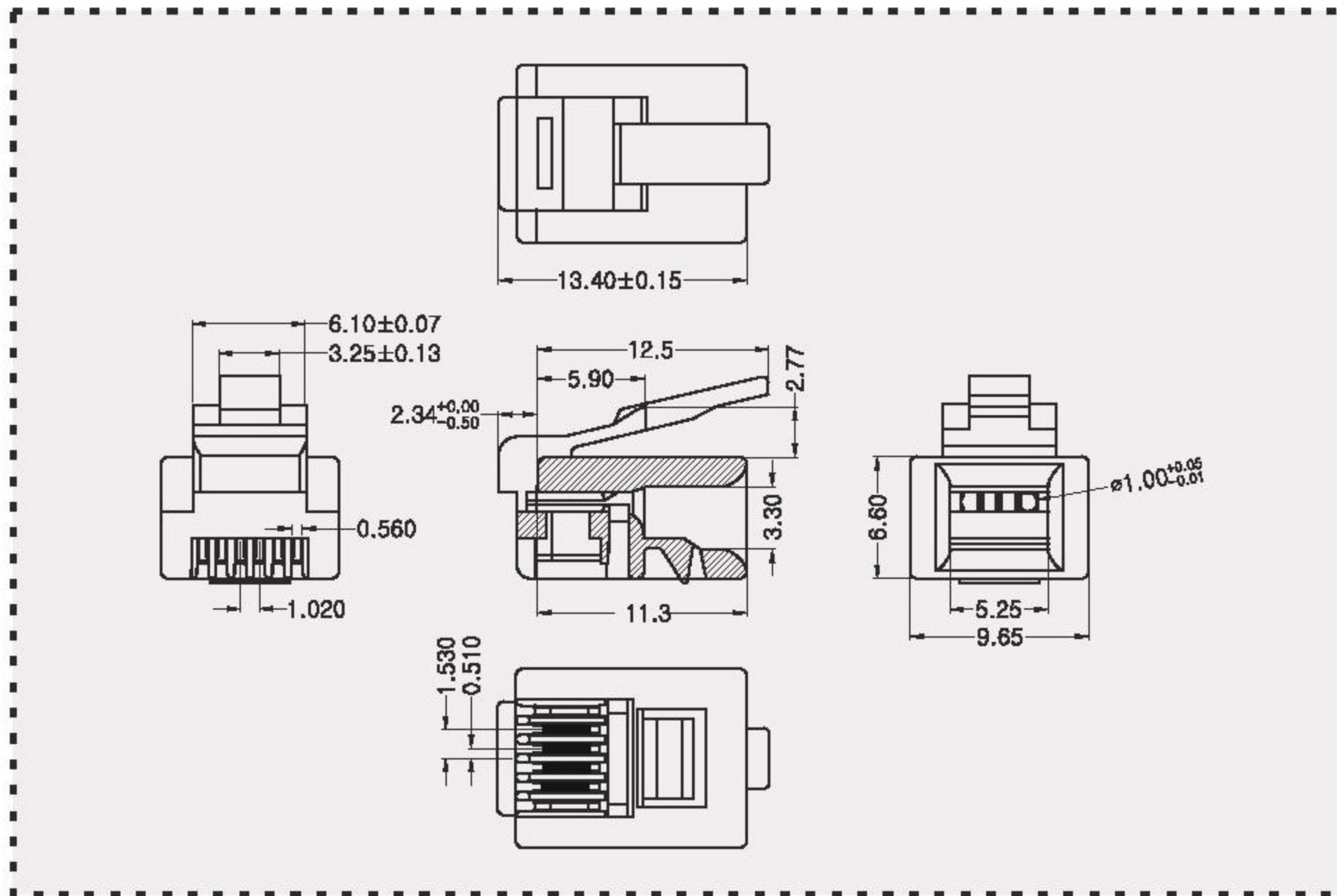
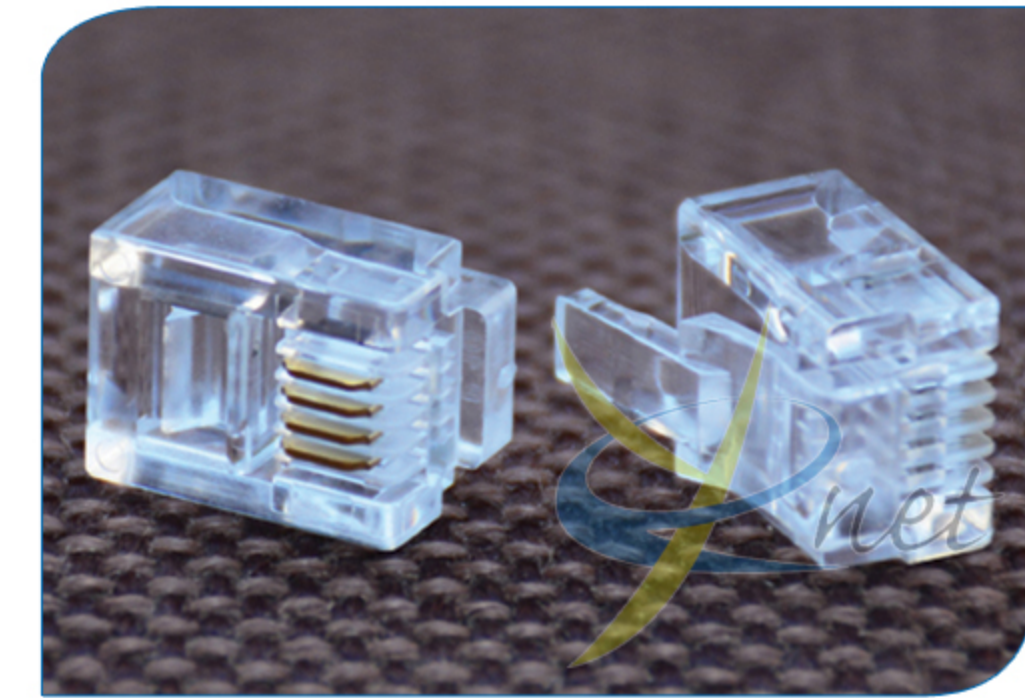


METAL CABLE MANAGEMENT SPECIFICATIONS





CAT 3 UTP RJ11 CONNECTOR SPECIFICATION



Inspection for Environmental Protection:

Based on the performed tests on submitted sample, the test results are Compliant with the limits of RoHS and REACH.

Electrical Test:

- A. 250V AC max, at 2A.
- B. Dielectric withstanding 1000V DC/min, <0.5A.
- C. Insulation Resistance: >500 MΩ, 1000V DC/min.
- D. Contact Resistance: <20 MΩ.

Mechanical:

- A. Cable-to-plug tensile strength-20 LBS(89N)min.
- B. Durability: 2000 mating cycles.

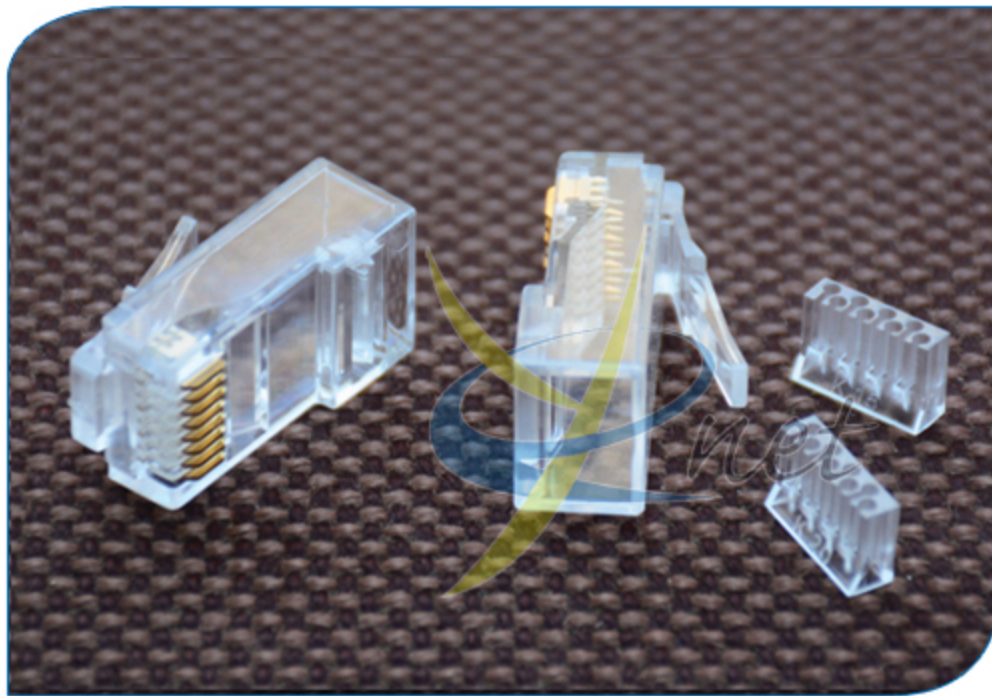
Operating Temperature: -40℃~+125℃.

金片 TERMINAL	2405	2333S						OTHER
图形 DRAWING								
标记 MARK	✓							
镀金 GOLD PLATING	FU"	03MU"	3U"	6U"	15U"	30U"	50U"	OTHER
标记 MARK								

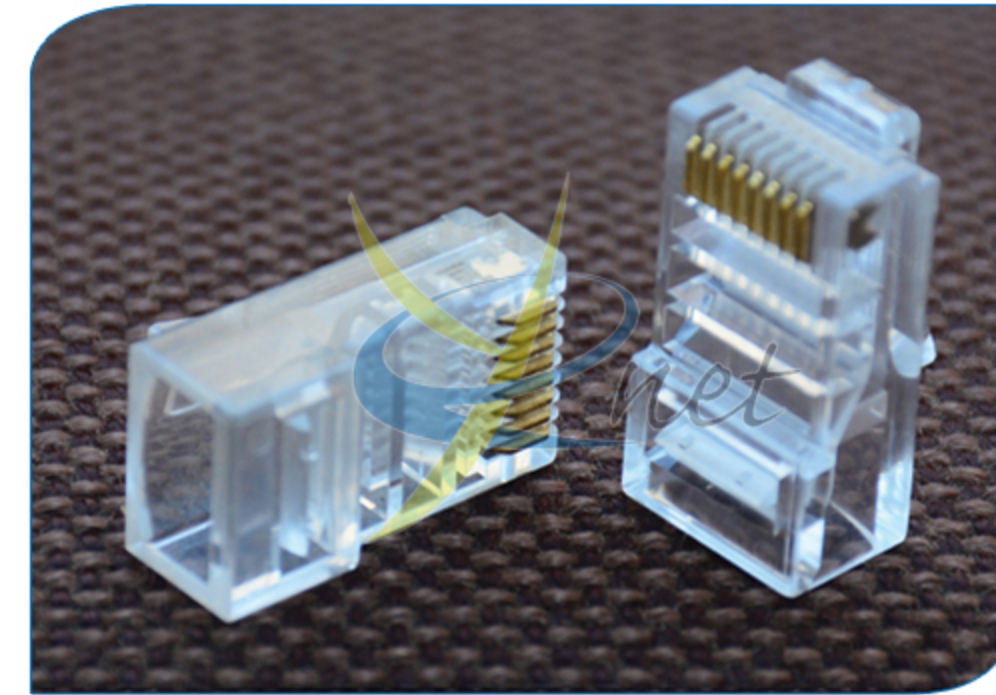




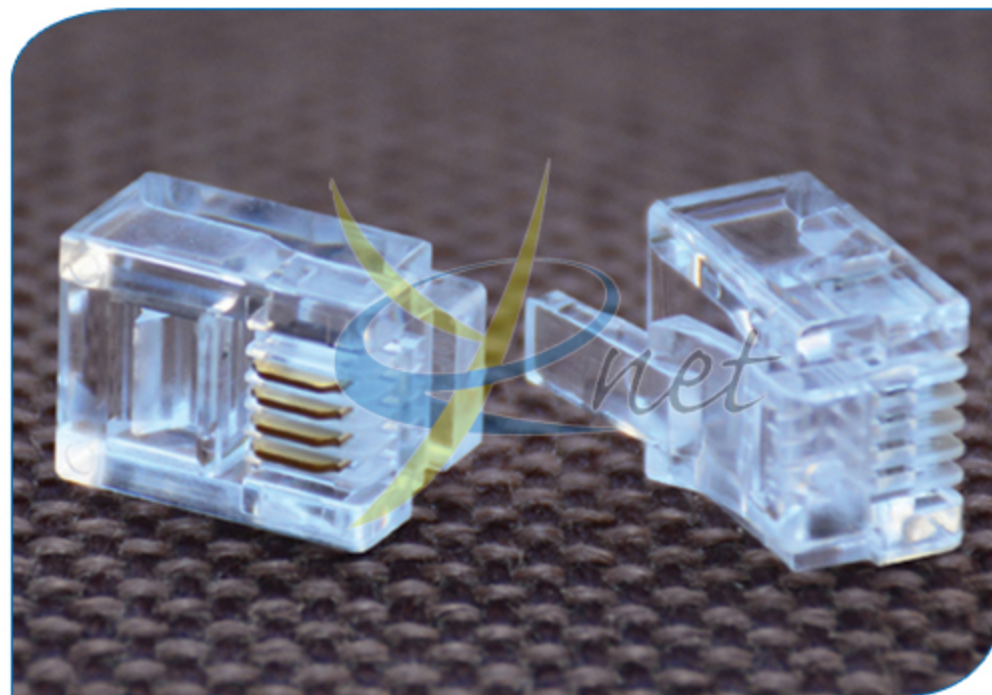
UTP CAT6 RJ45



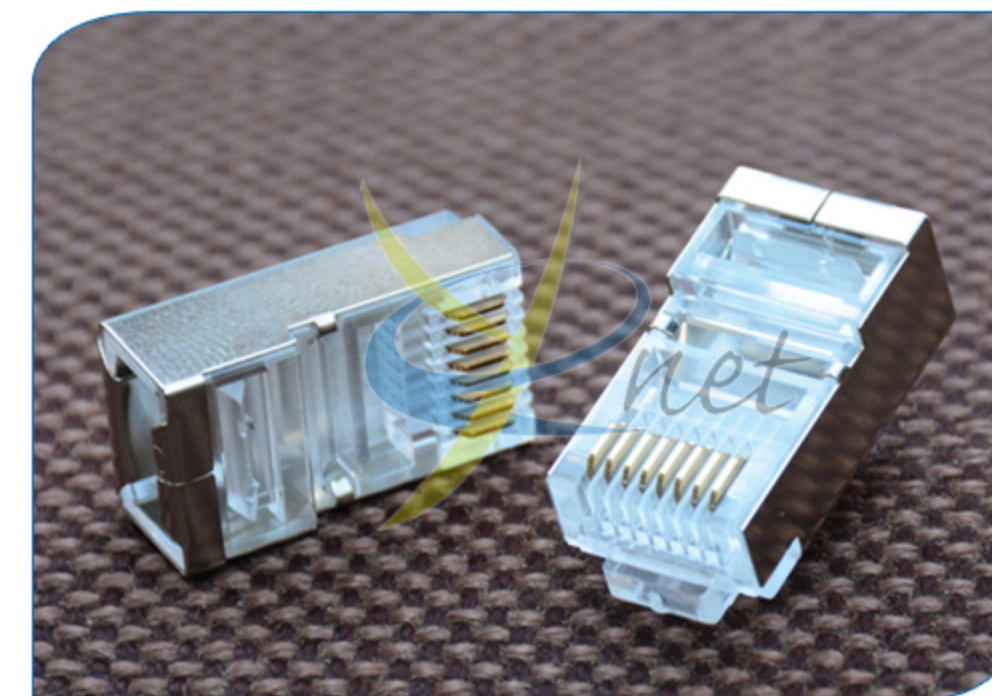
UTP CAT5e RJ45



CAT 3 RJ11 CONNECTOR

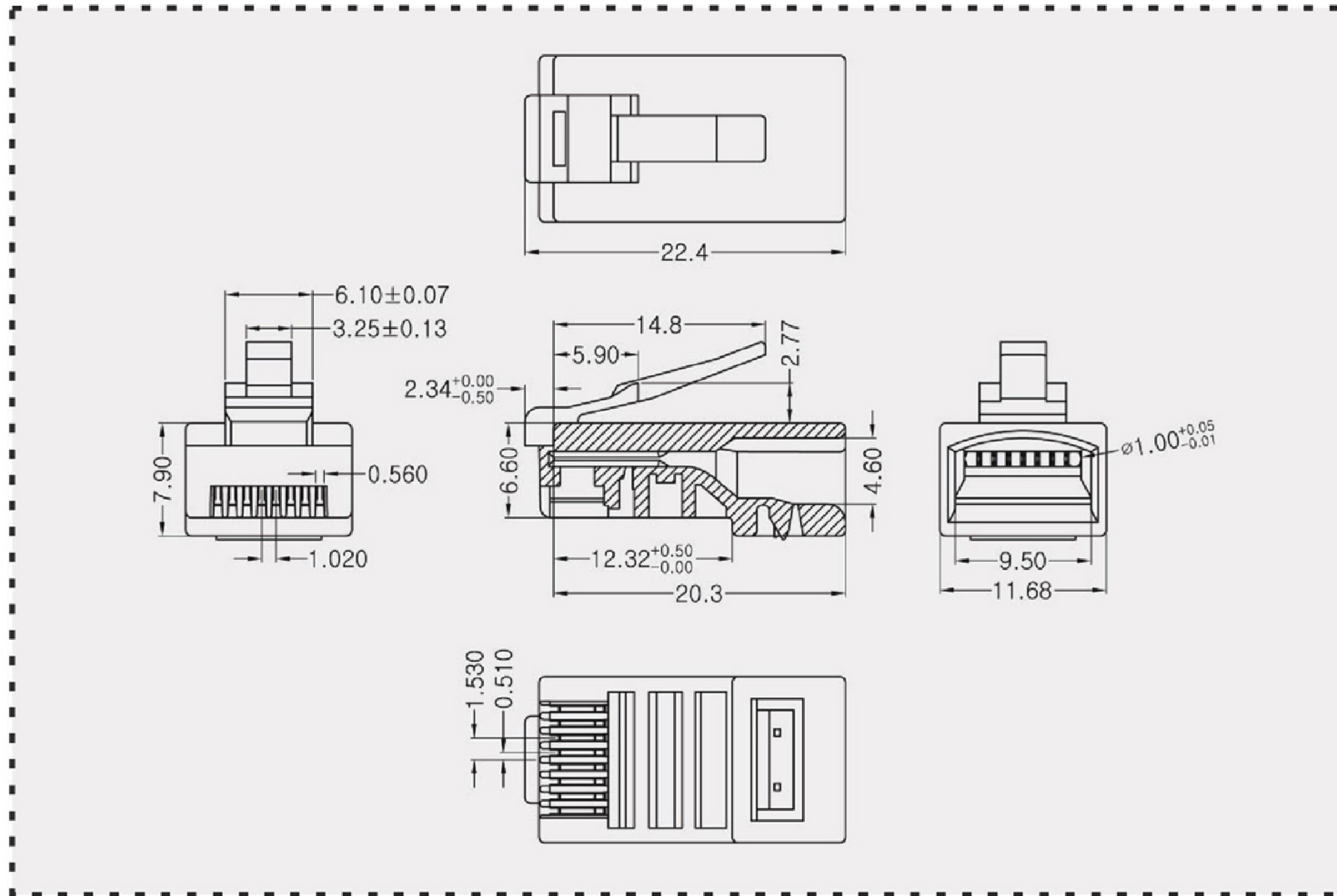
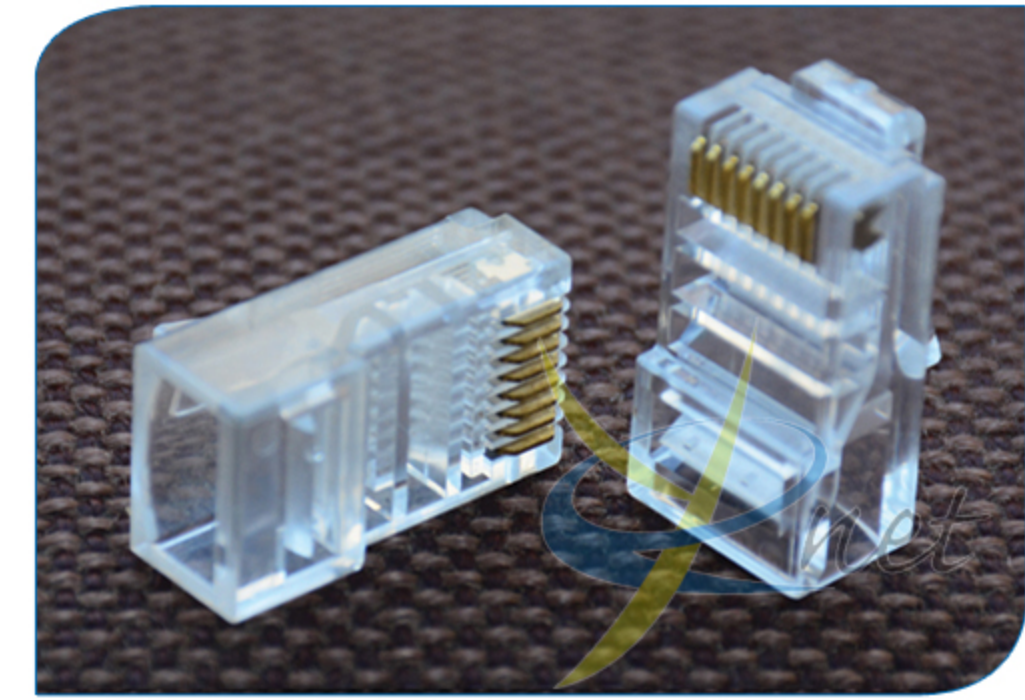


FTP CAT5e RJ45





CAT5e UTP RJ45 CONNECTORS SPECIFICATION



Inspection for Environmental Protection:

Based on the performed tests on submitted sample, the test results are Compliant with the limits of RoHS and REACH.

Electrical Test:

- A. 250V AC max, at 2A.
- B. Dielectric withstanding 1000V DC/min, <0.5A.
- C. Insulation Resistance: >500 M Ω , 1000V DC/min.
- D. Contact Resistance: <20 M Ω .

Mechanical:

- A. Cable-to-plug tensile strength-20LBS (89N)min.
- B. Durability: 2000 mating cycles.

Operating Temperature: -40 $^{\circ}$ C ~ +125 $^{\circ}$ C.

环保测试:

通过RoHS、REACH之安全物质使用的检验标准。

电气特性:

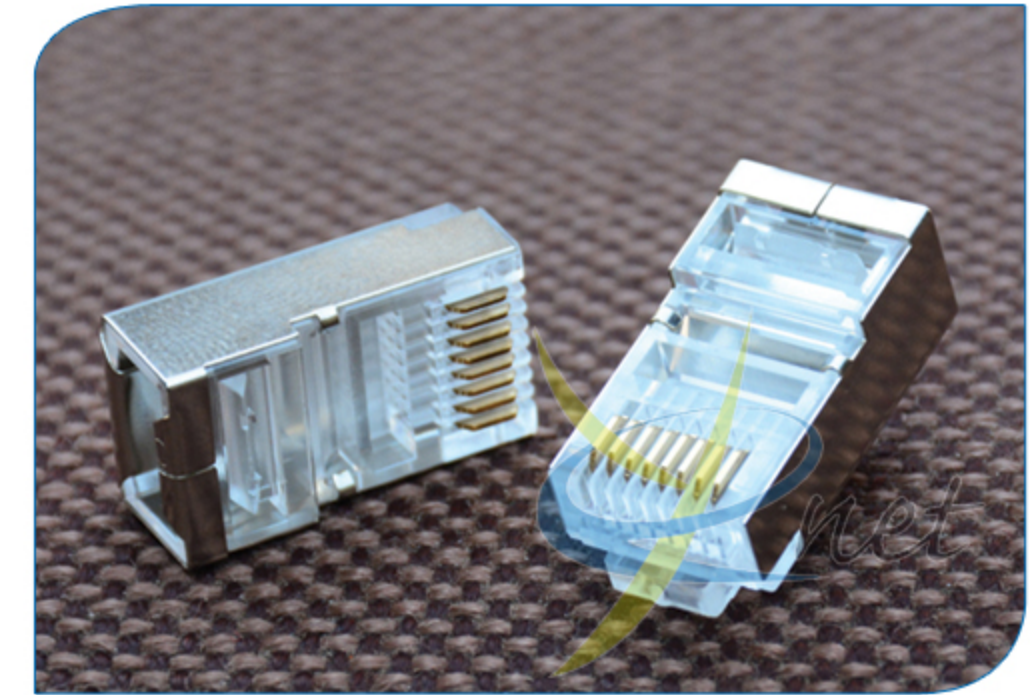
- A. 250伏特AC. 最大2安培耐电压伏特数。
- B. 耐电压测试: 小于0.5安培 1000伏特DC/一分钟。
- C. 绝缘抗阻: 1000伏特DC/一分钟, 大于500百万欧姆。
- D. 接触阻抗: 不大于20毫欧姆。

机械特性:

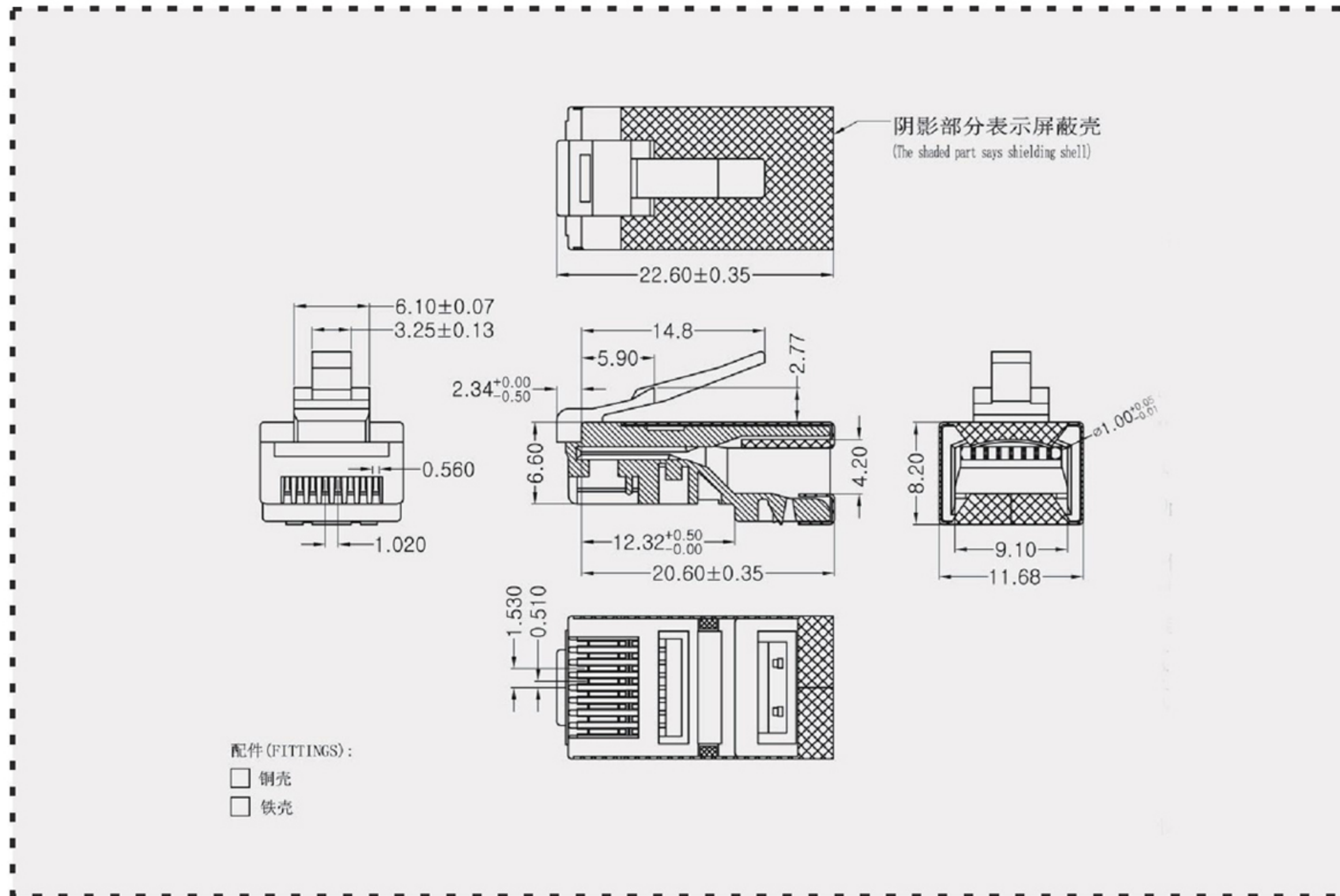
- A. 拉力测试: 电缆至插座张力强度至少一分钟20磅 (89N)。
- B. 耐力测试: 插拔测试2000次以上。

使用温度范围: -40 $^{\circ}$ C ~ +125 $^{\circ}$ C。

金片 TERMINAL	2405	2333S						OTHER
图形 DRAWING								
标记 MARK								
镀金 GOLD PLATING	Fu"	1u"	3u"	6u"	15u"	30u"	50u"	OTHER
标记 MARK								



CAT5e FTP RJ45 CONNECTORS SPECIFICATION



Inspection for Environmental Protection:

Based on the performed tests on submitted sample, the test results are Compliant with the limits of RoHS and REACH.

Electrical Test:

- A. 250V AC max, at 2A.
- B. Dielectric withstanding 1000V DC/min, <0.5A.
- C. Insulation Resistance: >500 MΩ, 1000V DC/min.
- D. Contact Resistance: <20 MΩ.

Mechanical:

- A. Cable-to-plug tensile strength-20 LBS(89N)min.
- B. Durability: 2000 mating cycles.

Operating Temperature: -40℃~+125℃.

环保测试:

通过RoHS、REACH之安全物质使用的检验标准。

电气特性:

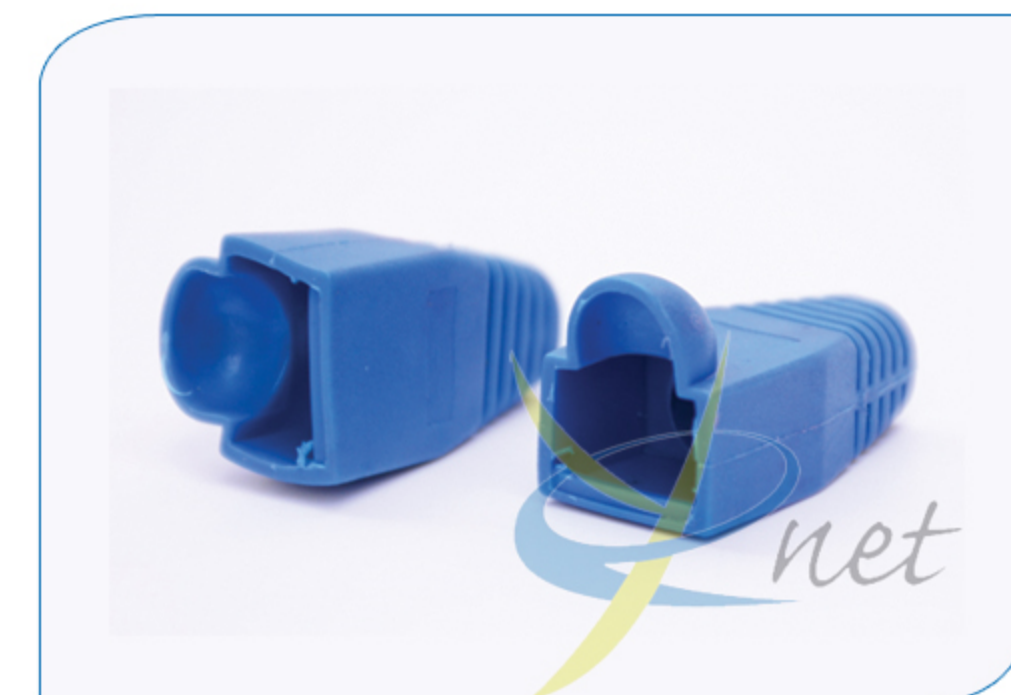
- A. 250伏特AC. 最大2安培耐电压伏特数。
- B. 耐电压测试: 小于0.5安培 1000伏特DC/一分钟。
- C. 绝缘抗阻: 1000伏特DC/一分钟, 大于500百万欧姆。
- D. 接触阻抗: 不大于20毫欧姆。

机械特性:

- A. 拉力测试: 电缆至插座张力强度至少一分钟20磅(89N)。
- B. 耐力测试: 插拔测试2000次以上。

使用温度范围: -40℃~+125℃。

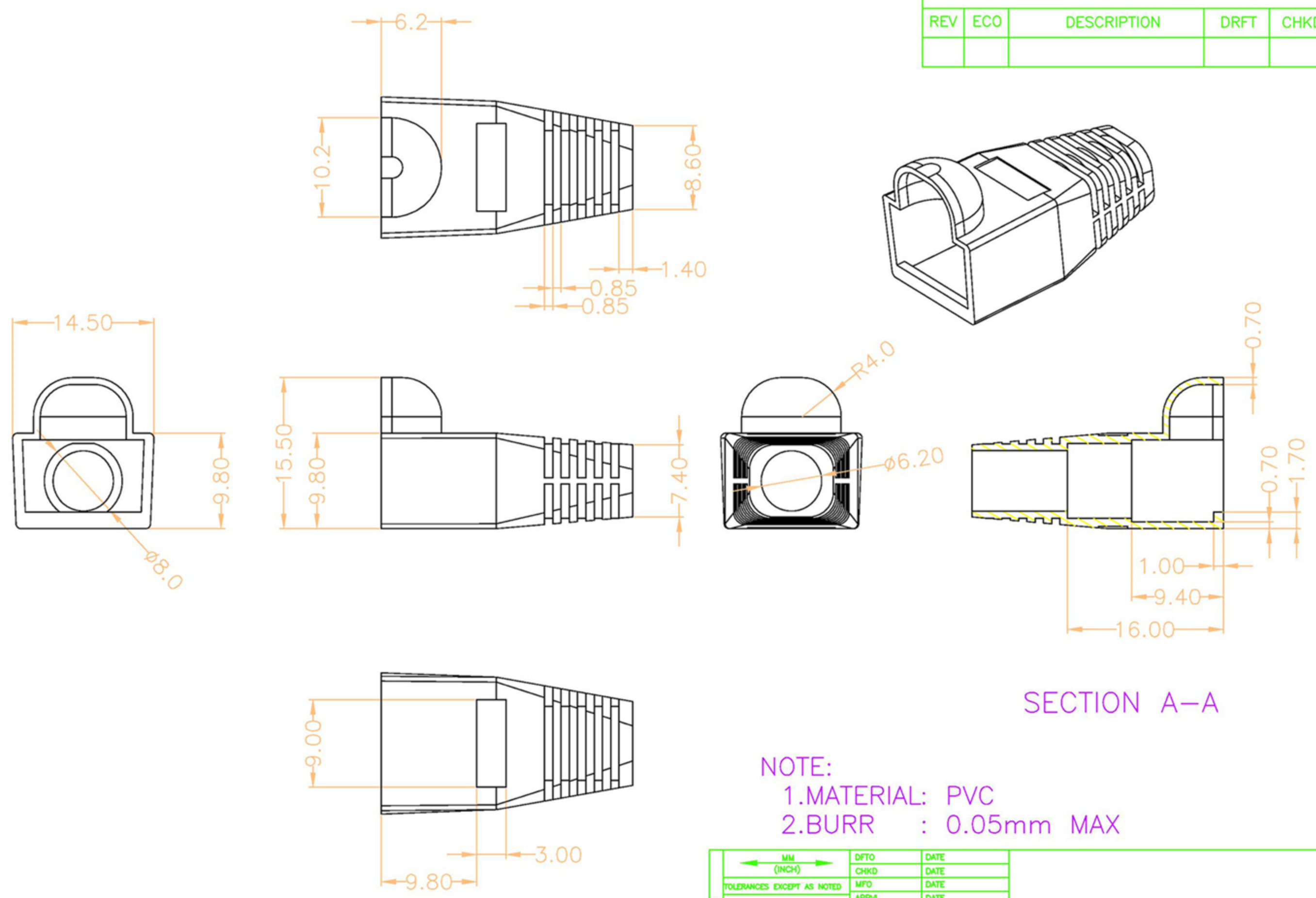
金片 TERMINAL	2405	2333S						OTHER
图形 DRAWING								
标记 MARK								
镀金 GOLD PLATING	Fu"	1u"	3u"	6u"	15u"	30u"	50u"	OTHER
标记 MARK								



RJ45 BOOTS SPECIFICATION

SLRD001

REVISION RECORD				
REV	ECO	DESCRIPTION	DRFT	CHKD



NOTE:
 1.MATERIAL: PVC
 2.BURR : 0.05mm MAX

← MM →	DFTO	DATE
(INCH)	CHKD	DATE
TOLERANCES EXCEPT AS NOTED	MFO	DATE
MM	APPL	DATE
.0 ±0.10	REV	DATE
.00 ±0.08	MATERIAL:	
THIRD ANGLE PROJECTION	PART NO.	
	DRAWING NO.	

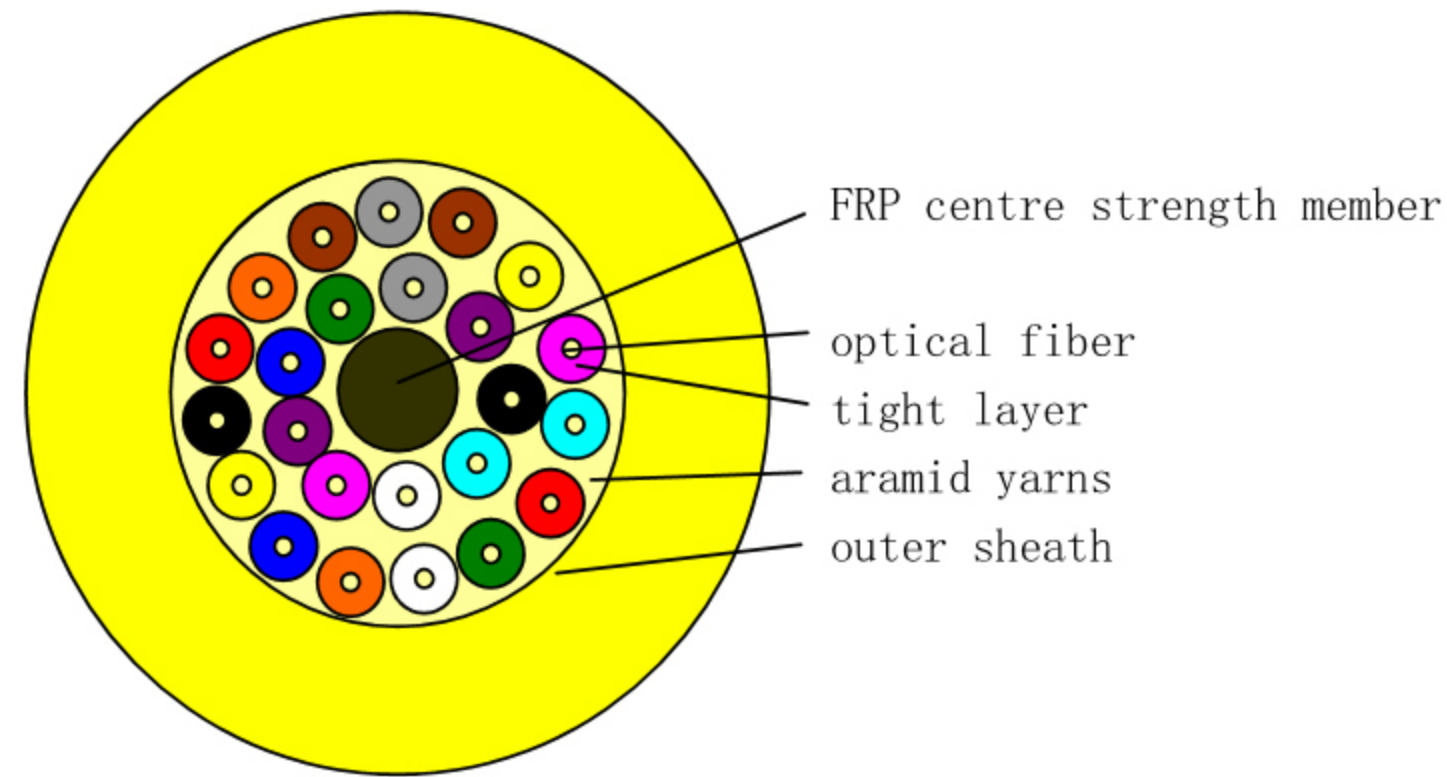
TITLE
RJ45 BOOT





FIBER ARMoured CABLE SPECIFICATION

1. Cable type: 24 core single-model distribution optical fiber cable
2. Cable structure



3. Technology specification

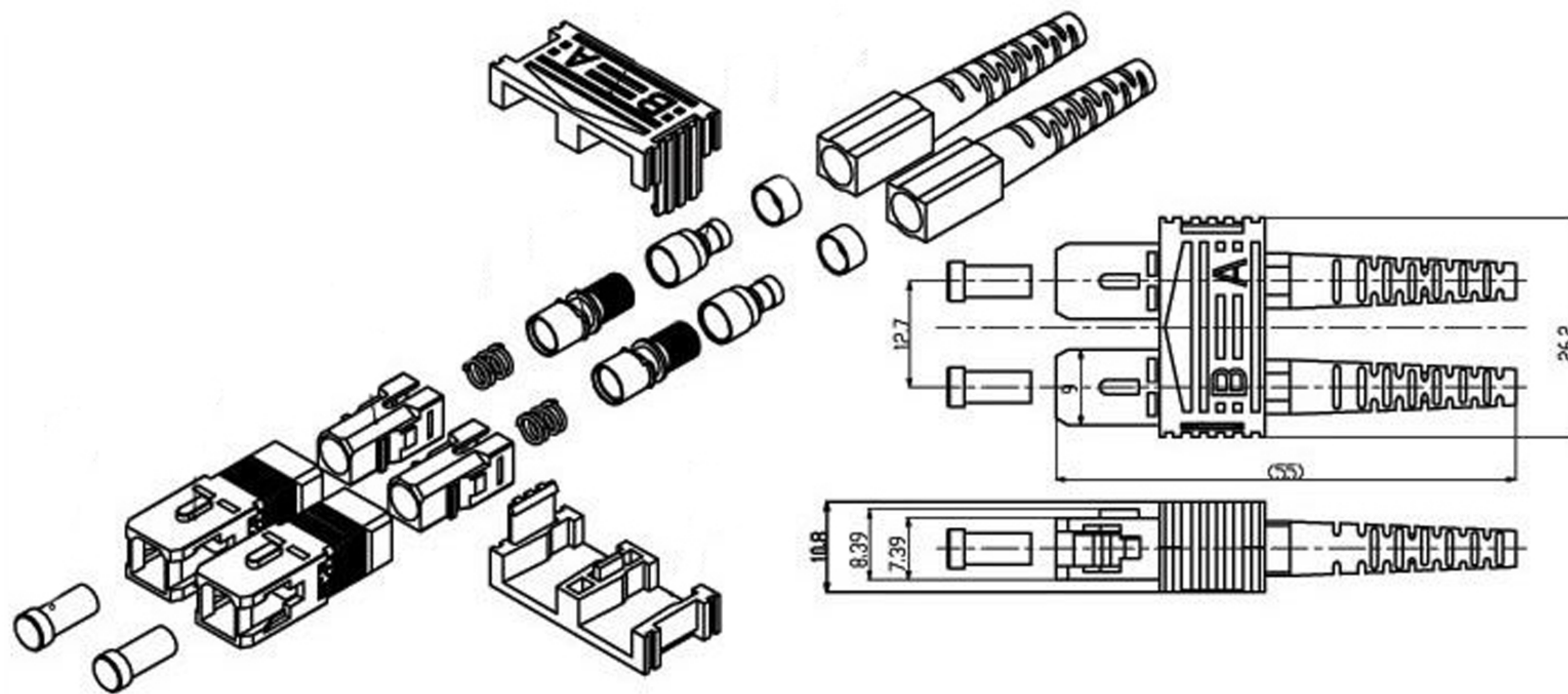
Item	Technology parameter
Cable type	GJPFJV-24B1
Product specification	8.3mm
The color of the tight layer	Inner layer: blue, orange, green, brown, gray, white, red, black, yellow; the outer layer: violet, pink, Aqua, blue(a color ring), orange (a color ring), green (a color ring), brown (a color ring), gray (a color ring), white (a color ring), red (a color ring), white (two color ring), yellow (a color ring), violet (a color ring), pink (a color ring), aqua (a color ring)
The material of tight layer	PVC
The OD of tight fiber mm	0.85±0.05
Fiber specification(single-model)	9/125
Aramid yarns	1580dtex×18thread
The thick of sheath mm	1.1±0.1
The color of sheath	yellow
The material of sheath	PVC
The OD of sheath mm	8.3 (±0.2)
The cable weight Kg/km	53.6
The minimum bending radius mm	10D
Attenuation dB/km	≦ 0.4at 1310nm, ≦ 0.3 at 1550nm
Short tension N	500
Short crush N/100mm	1000
Using temperature ℃	-20~60
Cable marker	HTGD OPTICAL FIBER CABLE GJPFJV-24C MM/YY 9/125 SM xxxxM

Note: the product is accord with the instruction of EU ROHS



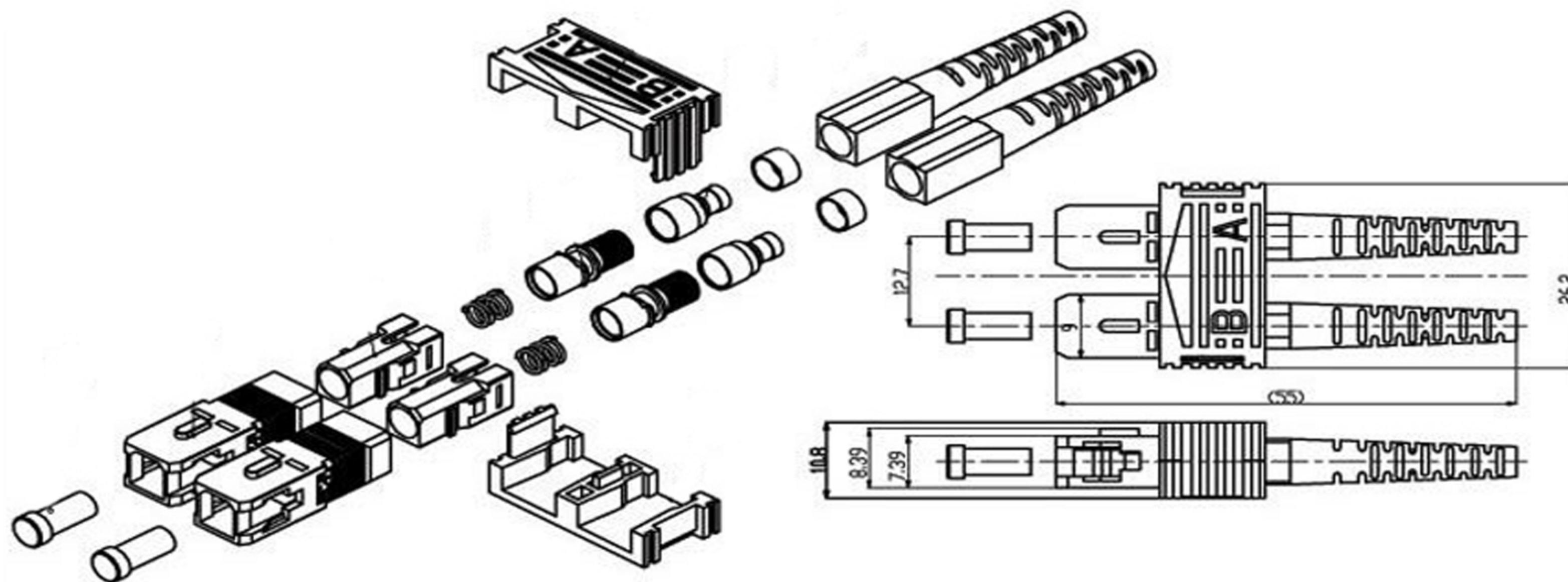
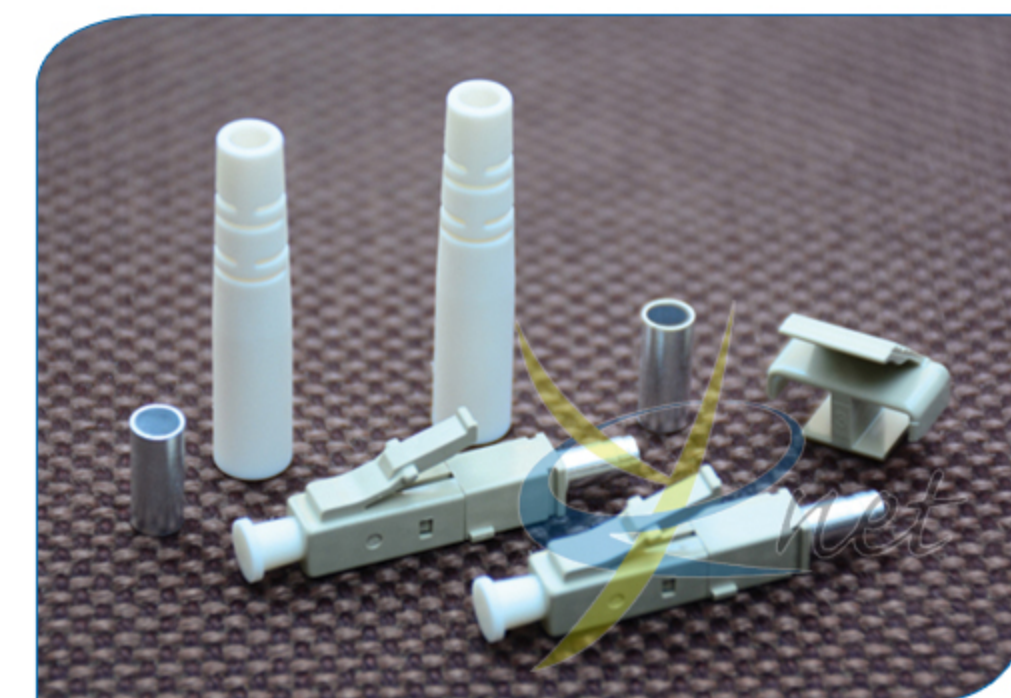


SC DUPLEX FIBER CONNECTOR SPECIFICATION





LC DUPLEX FIBER CONNECTOR SPECIFICATION





OM2 LC-LC DUPLEX FIBER PATCH CORD



OM2 SC-SC DUPLEX FIBER PATCH CORD



OM3 Duplex Fiber Patch Cord

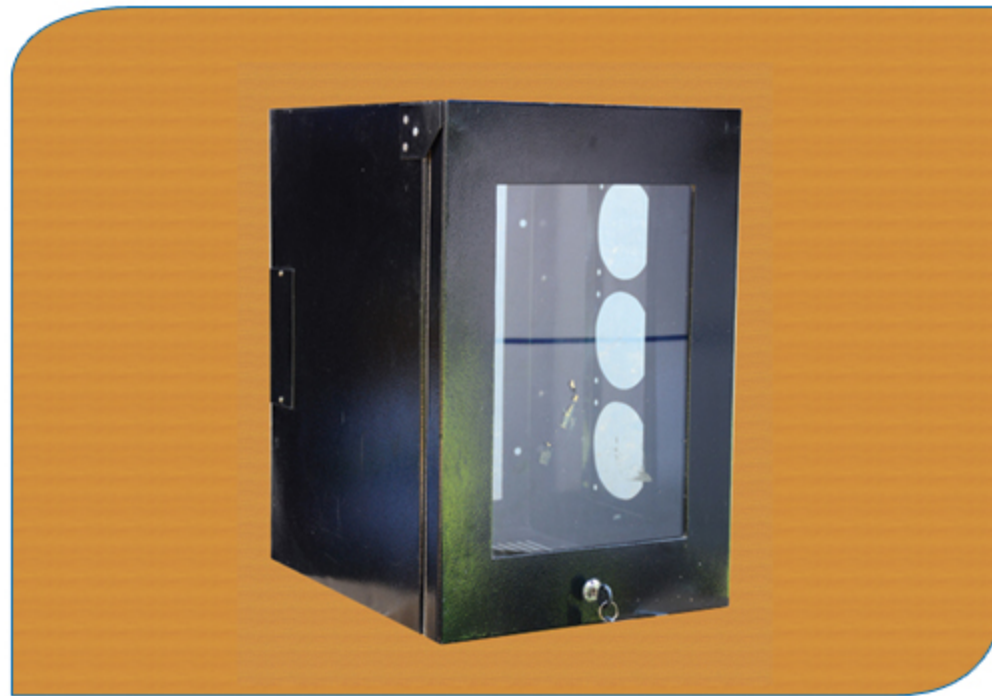


OM2 SC-LC Duplex Fiber Patch Cord

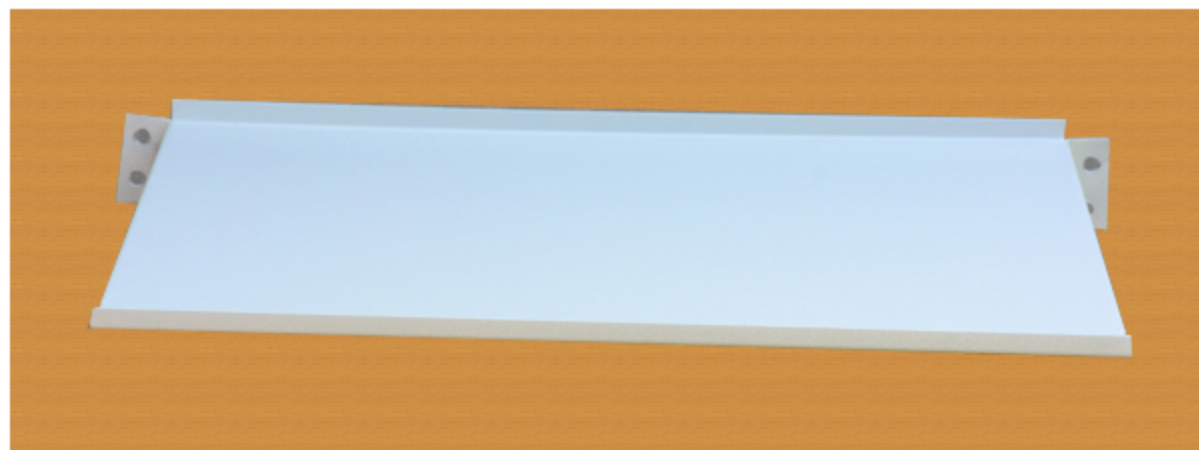




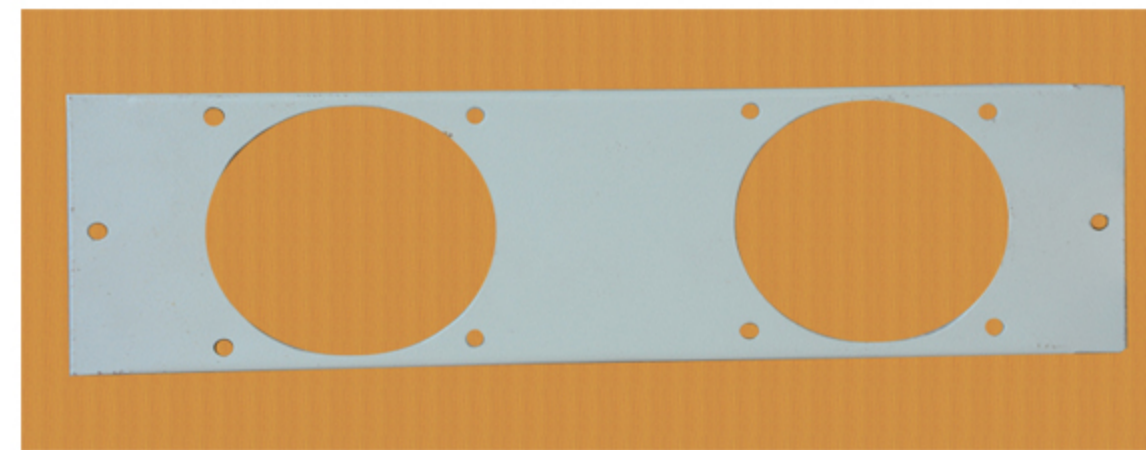
WALL MOUNTING RACK



RACK ACCESSORIES



FIXED TRAY



FAN PLATE



4 WAY POWER BAR





www.eynet.biz

